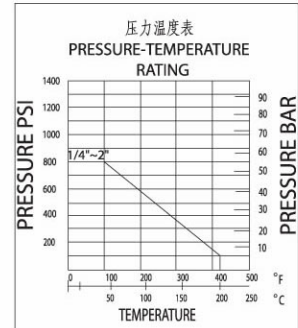


Y-STRAINER THREADED END 800WOG

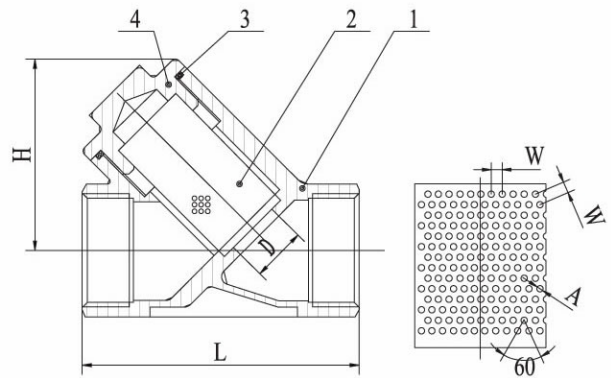
- Investment Castings For Body
- Pressure Rating: 800PSI (PN40)
- Threaded Ends: ANSI B2.1,BS 21,DIN 259/2999
- Material: CF8M,CF8,CF3M,WCB
- Pressure Test : API 598

- 精密铸造Y型过滤器 (通径)
- 压力等级: 800PSI (PN40)
- 螺纹标准: ANSI B2.1,BS 21,DIN 259/2999
- 材 料: CF8M,CF8,CF3M,WCB
- 压力测试: API 598



MATERIAL LIST

ITEM	PART	MATERIAL	QTY
1	BODY	CF8M	1
2	SCREEN	SS316	1
3	JOINT GASKET	PTFE	1
4	BONNET	CF8M	1



DIMENSION TABLE

SIZE	d	L	H	W	ØA	KGS
1/4"	10	50	51	2	1	0.20
3/8"	12	50	51	2	1	0.17
1/2"	15	58	51	2	1	0.20
3/4"	20	65	60	2	1	0.33
1"	25	80	72	2	1	0.58
1-1/4"	32	92	77	2	1	0.75
1-1/2"	40	105	87	2	1	1.05
2"	50	125	102	2	1	1.57