

## SINGLE DISC WAFER SWING CHECK VALVE

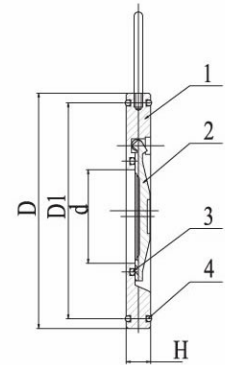
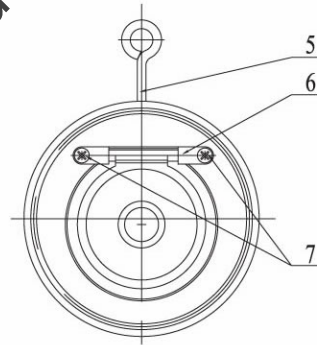
- Investment Castings For Body And Disc
- Flanged Ends: ANSI,DIN,JIS
- Pressure Rating : PN16
- Material: CF8M,CF8,CF3M,WCB
- Pressure Test : API 598

- 精密铸造对夹式止回阀（旋启式）
- 法兰标准：美标、德标、日标
- 压力等级：PN16
- 材 料：CF8M,CF8,CF3M,WCB
- 压力测试：API 598



### MATERIAL LIST

ITEM	PART	MATERIAL	QTY
1	BODY	CF8M	1
2	DISC	CF8M	1
3	DISC O-RING	VITON	1
4	EXTERNAL O-RING	VITON	2
5	HOOK	STEEL	1
6	STEM STOPPER	SS316	2
7	AXIS SCREW	SS316	2



### DIMENSION TABLE

SIZE	d	D	D1	L	KGS
2"	32	105	84	14	0.85
2-1/2"	40	124	96	14	1.15
3"	54	136	117.5	14	1.34
4"	70	164	148	18	2.30
5"	92	194	166	18	3.10
6"	114	220	197	20	4.40
8"	154	275	249	22	7.10
10"	200	330	310	26	12.00