

## 技术规范 Technique norm

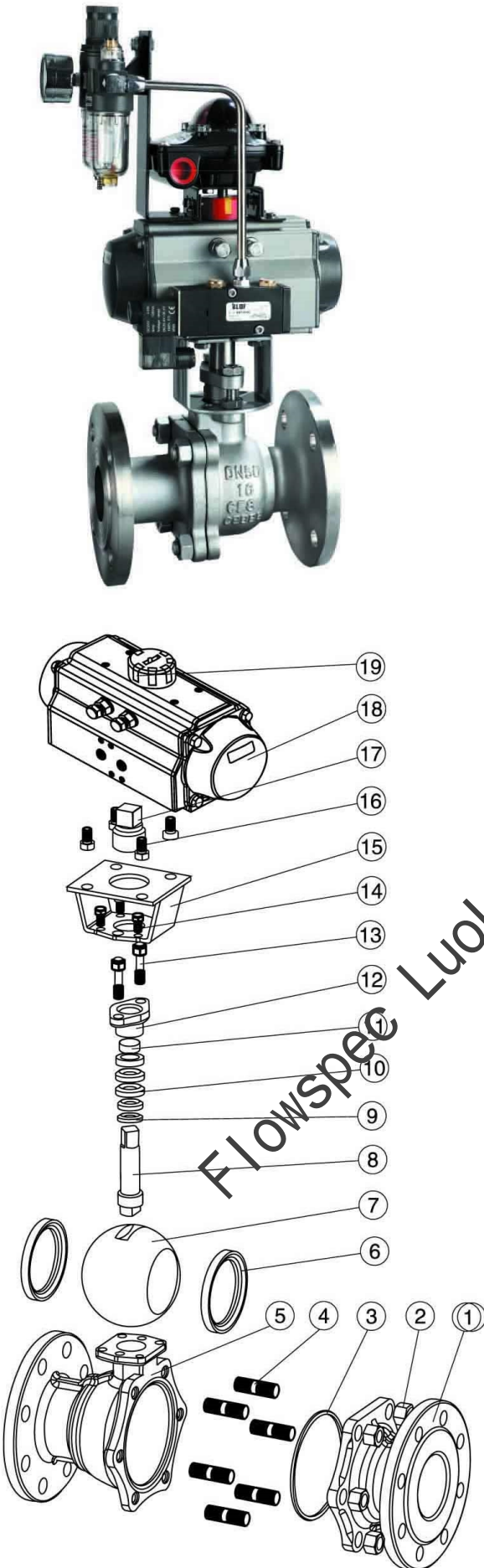
设计依据 Design Basis		GB标准 Standard
设计标准 Design standard		GB/12237
结构长度 Face to face dimension	法兰 连接 Flange Connecting	GB/12221
连接法兰尺寸 Connecting Flange Size		GB/9113、JB/T79
试验和检验 Test & inspection		GB/T13927、JB/T9092

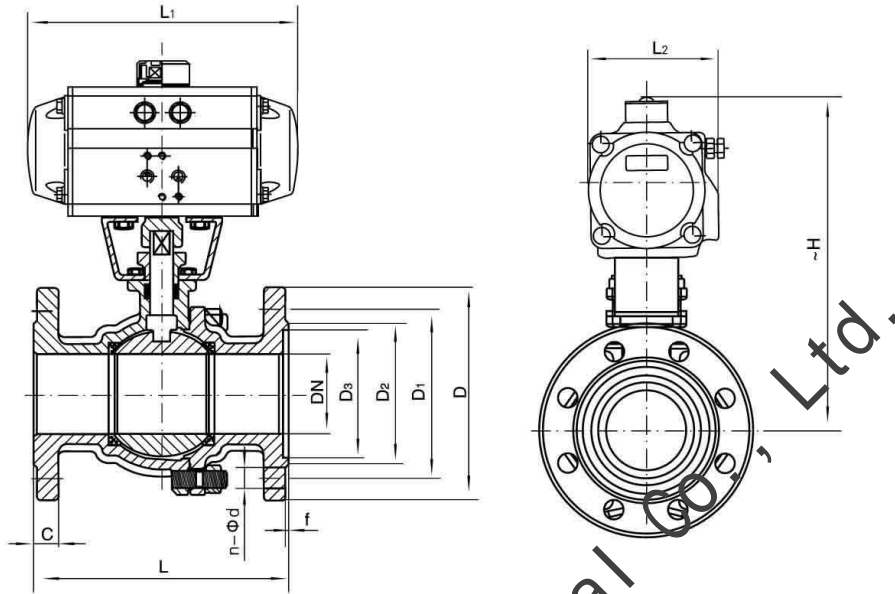
※注：系列球阀结构长度及连接法兰尺寸可根据用户要求设计制造。  
Note: The structural length and connecting flange size of ball valve series can be designed and manufactured as per users' requirements.

## 主要零件材质表 Form of Main Parts Materials

序号 No.	零件名称 Name of parts	材质 Material		
			P	R
1	右阀体 Right valve	WCB	ZG1Cr18Ni9Ti	ZG1Cr18Ni12Mo2Ti
2	螺母 Nut	35	1Cr18Ni9Ti	1Cr18Ni9Ti
3	垫片 Gasket	PTFE、石墨金属复合垫 Graphite metal composite pad		
4	螺栓 Screw	35	1Cr18Ni9Ti	1Cr18Ni9Ti
5	阀体 Body	WCB	ZG1Cr18Ni9Ti	ZG1Cr18Ni12Mo2Ti
6	阀座 Seat	PTFE、尼龙(Nylon)、对位聚苯(PPL) 硬质合金 Hard Alloy		
7	球体 Ball	1Cr18Ni9Ti	1Cr18Ni9Ti	1Cr18Ni12Mo2Ti
8	阀杆 Stem	1Cr13	1Cr18Ni9Ti	1Cr18Ni12Mo2Ti
9	垫片 Gasket	1Cr18Ni9Ti	1Cr18Ni9Ti	1Cr18Ni12Mo2Ti
10	填料 Packing	PTFE、柔 石墨 Flexible Graphite		
11	衬套 Bushing	PTFE复合轴承 Composite bearings		
12	压盖 Gland	WCB	ZG1Cr18Ni9Ti	ZG1Cr18Ni12Mo2Ti
13	螺栓 Screw	35	1Cr18Ni9Ti	1Cr18Ni9Ti
14	螺栓 Screw	35	1Cr18Ni9Ti	1Cr18Ni9Ti
15	连接支架 Connecting Yoke	1Cr18Ni9Ti	1Cr18Ni9Ti	1Cr18Ni9Ti
16	螺栓 Screw	35	1Cr18Ni9Ti	1Cr18Ni9Ti
17	连接套 Connecting Set	35	1Cr18Ni9Ti	1Cr18Ni9Ti
18	气动装置 Pneumatic Device	AT系列、AW系列 AT Series、AW Series		
19	位置指示器 Location Indicator	塑料Plastic		

※注：系列球阀主要零部件及密封圈的材质可根据实际工况条件或用户特殊要求设计选用。  
Note: The structural length and connecting flange size of ball valve series can be designed and manufactured as per users' requirements.





**主要外形及连接法兰尺寸 OVO641F(N、P、H、Y)-PN16(1.6MPa) Main Outline and Connecting Flange Size**

公称通径 Nominal diameter DN	外形尺寸 Outline Size				连接尺寸 Connecting size						执行器型号 Actuator Model
	L	L <sub>1</sub>	L <sub>2</sub>	~H	D	D <sub>1</sub>	D <sub>2</sub>	C	f	n-Φd	
15	130	141/159	71/83	204/235	65	65	46	14	2	4-Φ14	AT050D/AT063S
20	140	141/159	71/83	209/240	105	75	56	16	2	4-Φ14	AT050D/AT063S
25	150	159/211	83/95	214/256	115	85	65	16	2	4-Φ14	AT063D/AT075S
32	165	159/248	83/107	237/277	140	100	76	18	2	4-Φ18	AT063D/AT088S
40	180	211/248	95/117	274/292	150	110	84	18	3	4-Φ18	AT075D/AT088S
50	200	248/269	107/123	290/300	165	125	99	20	3	4-Φ18	AT088D/AT100S
65	220	248/315	107/141	310/335	185	145	118	20	3	4-Φ18	AT088D/AT115S
80	250	269/345	123/152	346/368	200	160	132	20	3	8-Φ18	AT100D/AT125S
100	280	345/409	152/172	378/410	220	180	156	22	3	8-Φ18	AT125D/AT145S
125	320	409/550	172/215	425/450	250	210	184	22	3	8-Φ18	AT145D/AT190S
150	360	550/600	215/240	468/531	285	240	211	24	3	8-Φ22	AT190D/AT210S
200	400	600/633	240/262	583/618	340	295	266	24	3	12-Φ22	AT210D/AT240S



## 主要外形及连接法兰尺寸 OVO641F(N、P、H、Y)-PN25(2.5MPa) Main Outline and Connecting Flange Size

公称通径 Nominal diameter DN	外形尺寸 Outline Size				连接法兰尺寸 Connecting Flange Size						执行器型号 Actuator Model
	L	L <sub>1</sub>	L <sub>2</sub>	~H	D	D <sub>1</sub>	D <sub>2</sub>	C	f	n-Φd	
15	130	141/159	71/83	204/235	95	65	46	14	2	4-Φ14	AT050D/AT063S
20	140	141/159	71/83	209/240	105	75	56	16	2	4-Φ14	AT050D/AT063S
25	150	159/211	83/95	257/265	115	85	65	16	2	4-Φ14	AT063D/AT075S
32	165	211/248	95/107	269/287	140	100	76	18	3	4-Φ18	AT075D/AT088S
40	180	248/269	95/107	282/292	150	110	84	18	3	4-Φ18	AT075D/AT088S
50	200	248/345	107/123	290/325	165	125	99	20	3	4-Φ18	AT088D/AT100S
65	220	269/345	107/152	310/357	185	145	118	22	3	8-Φ18	AT088D/AT125S
80	250	345/409	152/172	346/368	200	160	132	24	3	8-Φ18	AT125D/AT145S
100	280	345/438	152/187	418/443	235	190	156	24	3	8-Φ22	AT125D/AT160S
125	320	438/550	187/215	460/503	270	220	184	26	3	8-Φ26	AT160D/AT190S
150	360	550/600	215/240	518/563	300	250	211	28	3	8-Φ26	AT190D/AT210S
200	400	633/730	262/330	583/618	360	310	274	30	3	12-Φ26	AT240D/AT270S

## 主要外形及连接法兰尺寸 OVO641F(N、P、H、Y)-PN40(4.0MPa) Main Outline and Connecting Flange Size

公称通径 Nominal diameter DN	外形尺寸 Outline Size				连接法兰尺寸 Connecting Flange Size							执行器型号 Actuator Model
	L	L <sub>1</sub>	L <sub>2</sub>	~H	D	D <sub>1</sub>	D <sub>2</sub>	D <sub>3</sub>	C	f	n-Φd	
15	130	141/159	71/83	204/235	95	65	46	40x4	14	2	4-14	AT050D/AT063S
20	140	159/211	83/95	249/252	105	75	56	51x4	16	2	4-14	AT063D/AT075S
25	150	211/248	95/107	257/265	115	85	65	58x4	16	2	4-14	AT075D/AT088S
32	180	211/248	95/110	269/287	140	100	76	66x4	18	3	4-18	AT075D/AT088S
40	200	248/269	107/123	282/292	150	100	84	76x4	18	3	4-18	AT088D/AT100S
50	220	248/315	107/141	300/325	165	125	99	88x4	20	3	4-18	AT088D/AT115S
65	250	269/345	123/152	335/357	185	145	118	110x4	22	3	8-18	AT100D/AT125S
80	280	345/409	152/172	368/400	200	160	132	121x4	24	3	8-18	AT125D/AT145S
100	320	409/438	172/187	418/506	235	190	156	150x4.5	24	3	8-22	AT145D/AT160S
125	400	550/600	215/240	445/548	270	220	184	176x4.5	26	3	8-26	AT190D/AT210S
150	400	600/633	215/262	563/598	300	250	211	204x4.5	28	3	8-26	AT210D/AT240S
200	502	730	330	636/666	375	320	284	260x4.5	34	3	12-30	AT270D