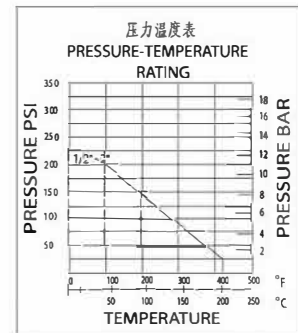


GATE VALVE THREADED END 200WOG

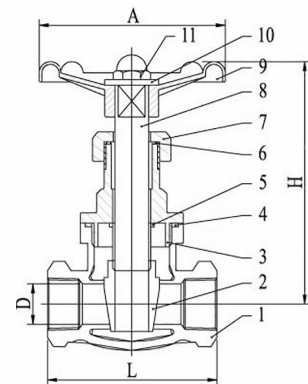
- Investment Castings For Body
- Pressure Rating: 200PSI (PN16)
- Threaded Ends: ANSI B2.1,BS 21,DIN 259/2999
- Material: CF8M,CF8,CF3M,WCB
- Pressure Test : API 598

- 精密铸造闸阀 (口径)
- 压力等级: 200PSI (PN16)
- 螺纹标准: ANSI B2.1,BS 21,DIN 259/2999
- 材 料: CF8M,CF8,CF3M,WCB
- 压力测试: API 598



MATERIAL LIST

ITEM	PART	MATERIAL	QTY
1	BODY	CF8M	1
2	DISC	CF8M	1
3	BONNET	CF8M	1
4	SEAL	PTFE	1
5	SEAL	PTFE	1
6	GLAND	CF8	1
7	NUT	CF8	1
8	STEM	CF8	1
9	HANDLE WHEEL	AL	1
10	GASKET	SS304	1
11	NUT	SS304	1



DIMENSION TABLE

SIZE	DN	L	H	A	KGS
1/2"	15	54	85	66	0.41
3/4"	20	58	95	72	0.55
1"	25	65	105	78	0.71
1-1/4"	32	73	125	97	1.00
1-1/2"	40	77	135	97	1.51
2"	50	90	155	107	2.27