



LUOKAI
WE MAKE FLOW BETTER

1PC MINI BALL VALVE MALE x MALE



FEATURES

1000PSI / PN16~PN63

Size: 1/4" ~ 1"

Materials: S.S.304(CF8), S.S.316(CF8M)

Reduce port, fully opening or closing

Simple structure, easy operation and maintenance

PED97/23/EC (CE0035) approved

Investment casting approved to AD2000-WO certificate

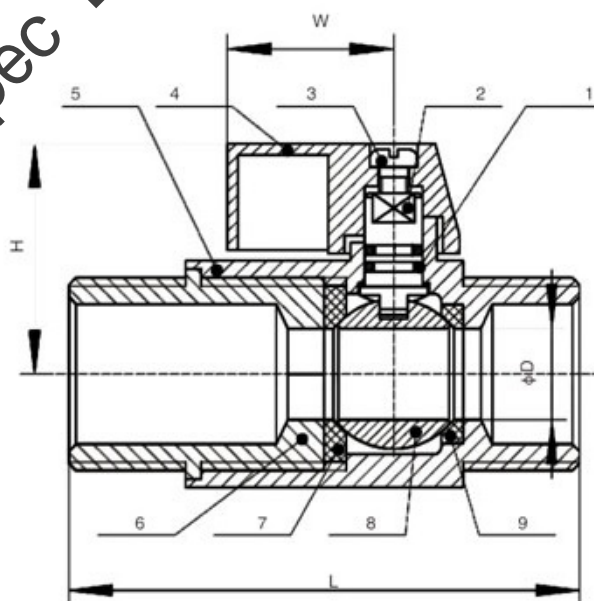
Threaded: G, NPT, PT, Rp, Rc (ASME B1.20.1, BS21/2799, DIN2999/259, ISO228-1, JIS B 0203, ISO7/1)

Inspection & testing: API598, EN12266, DIN3230/3

Design: ASME B16.34

Applicable medium: water, oil, gas, corrosive liquids

Applicable temperature: -29°C~120°C (higher temperature is available upon request)



Shanghai Luokai Industrial Co., Ltd.

Add: No.218 Huting Road(N), Shanghai, China 201615

Tel: +86 21 5603 2171

Fax: +86 21 3325 0914

E-mail: sales@lokvalve.com

www.lokvalve.com

**PARTS AND MATERIALS**

ITEM	PARTS	MATERIALS
1	O-Ring	NBR
2	Valve stem	SUS304/SUS316
3	Screw	SUS304
4	Handle	Alumimum alloy
5	Body	CF8/CF8M, SS304, SS316
6	Bonnet	CF8/CF8M, SS304, SS316
7	Seat	PTFE
8	Ball	CF8/CF8M, SS304, SS316

MAIN CONNECTION DIMENSIONS

Size	1/4"	3/8"	1/2"	3/4"	1"
D	7	7	9.2	12.5	15
H	26.5	26.5	29	32	35
W	22.8	22.8	22.8	22.8	22.8
L	50	50	58	71	83

NOTES:

As we are constant endeavoring to improve the performance of our equipment.

The company reserves the right to make alteration from time to time and equipment differ from that detailed in this brochure.



1PC MINI BALL VALVE MALE x FEMALE



FEATURES

1000PSI / PN16~PN63

Size: 1/4" ~ 1"

Materials: S.S.304(CF8), S.S.316(CF8M)

Reduce port, fully opening or closing

Simple structure, easy operation and maintenance

PED97/23/EC (CE0035) approved

Investment casting approved to AD2000-WO certificate

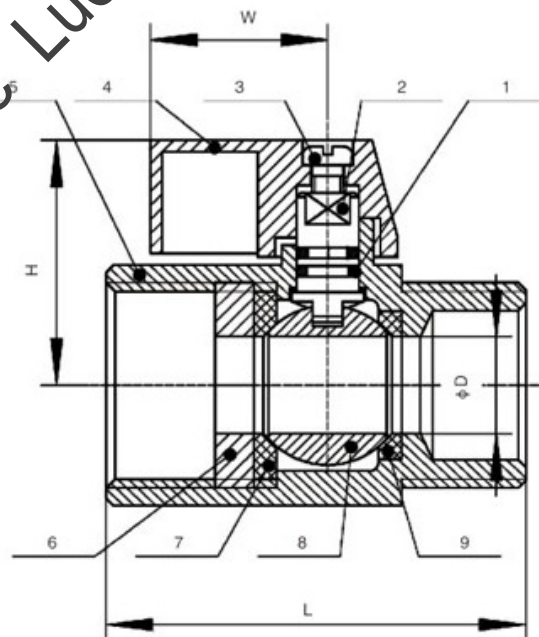
Threaded: G, NPT, PT, Rp, Rc (ASME B1.20.1, BS21/2199, DIN2999/259, ISO228-1, JIS B 0203, ISO7/1)

Inspection & testing: API598, EN12266, DIN3230/3

Design: ASME B16.34

Applicable medium: water, oil, gas, corrosive fluids

Applicable temperature: -29°C~120°C (higher temperature is available upon request)



**PARTS AND MATERIALS**

ITEM	PARTS	MATERIALS
1	O-Ring	NBR
2	Stem	SUS304/SUS316
3	Screw	SUS304
4	Handle	Alumimum alloy
5	Body	CF8/CF8M, SS304, SS316
6	Bonnet	CF8/CF8M, SS304, SS316
7	Seat	RPTFE
7	Ball	CF8/CF8M, SS304, SS316
8	Seat	RPTFE

MAIN CONNECTION DIMENSIONS

Size	1/4"	3/8"	1/2"	3/4"	1"
D	7	7	9.2	12.5	15
H	26.5	26.5	29	32	35
W	22.8	22.8	22.8	22.8	22.8
L	42	42	46	54	64.5

NOTES:

As we are constant endeavoring to improve the performance of our equipment.

The company reserves the right to make a alteration from time to time and equipment differ from that detailed in this brochure.



1PC MINI BALL VALVE FEMALE x FEMALE



FEATURES

1000PSI / PN16~PN63

Size: 1/4" ~ 1"

Materials: S.S.304(CF8), S.S.316(CF8M)

Reduce port, fully opening or closing

Simple structure, easy operation and maintenance

PED97/23/EC (CE0035) approved

Investment casting approved to AD2000-WO certificate

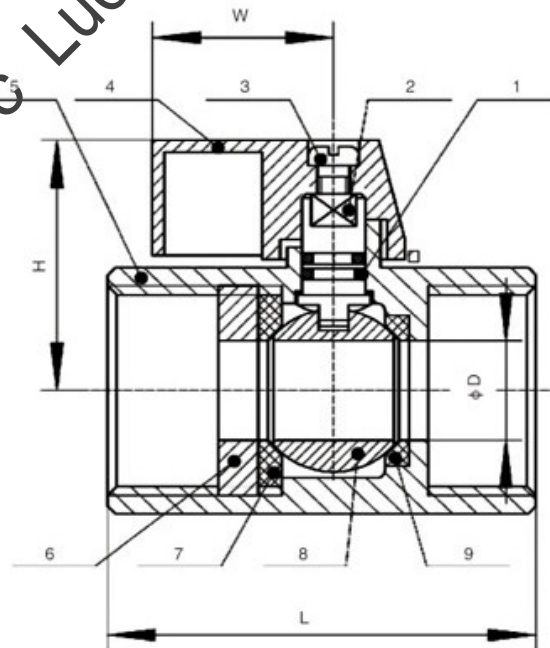
Threaded: G, NPT, PT, Rp, Rc (ASME B1.20.1, BS21/2799, DIN2999/259, ISO228-1, JIS B 0203, ISO7/1)

Inspection & testing: API598, EN12266, DIN3230/3

Design: ASME B16.34

Applicable medium: water, oil, gas, corrosive fluids

Applicable temperature: -29°C~120°C (higher temperature is available upon request)



**PARTS AND MATERIALS**

ITEM	PARTS	MATERIALS
1	O-Ring	NBR
2	Stem	SUS304/SUS316
3	Screw	SUS304
4	Handle	Alumimum alloy
5	Body	CF8/CF8M, SS304, SS316
6	Bonnet	CF8/CF8M, SS304, SS316
7	Seat	RPTFE
7	Ball	CF8/CF8M, SS304, SS316
8	Seat	RPTFE

MAIN CONNECTION DIMENSIONS

Size	1/4"	3/8"	1/2"	3/4"	1"
D	7	7	9.2	12.5	15
H	26.5	26.5	29	32	35
W	22.8	22.8	22.8	22.8	22.8
L	42	42	46	54	64.5

NOTES:

As we are constant endeavoring to improve the performance of our equipment.

The company reserves the right to make a lteration from time to time and equipment differ from that detailed in this brochure.