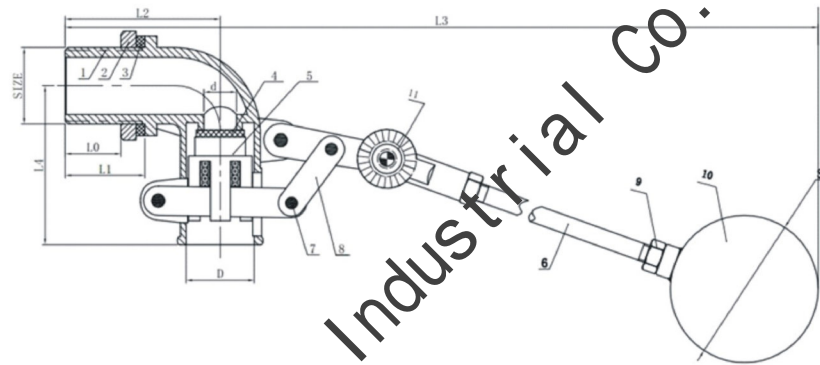


FS TYPE L FLOAT VALVE



Technical Data:

Design Standard: QB/T1199-1991, BS 1212
 Wall thickness standard: ASME B16.34
 Screw thread standard: ASME B1.20.1, BS21
 DIN 914/259, ISO 228/1
 G 7/1, ISO 203, ISO 7/1
 Testing standard: MS 9110, EN12266

Materials:

NO.	Part Name	Material	NO.	Part Name	Material
1	Body	SS304	7	Pin	SS304
2	Lock nut	SS304	8	Level	SS304
3	Gasket	NBR	9	Nut	SS304
4	Sealing	Silicone, NBR	10	Ball	SS304
5	Plug	POM	11	Regulator	SS304
6	Stem	SS304			

Dimensions:

Size	L0	L1	L2	L3	L4	d	D	S
1/2"	17	25	50	400	47	8.5	18	115mm
3/4"	19	27	54	500	54	11	23	135mm
1"	19	28	55	530	70	16	30	150mm
1 1/4"	19	30	70	750	92	20	42	200mm
1 1/2"	24	36	75	760	95	23	42	200mm
2"	25	37	80	820	115	28	50	220mm