



Float Valve with Plastic Ball

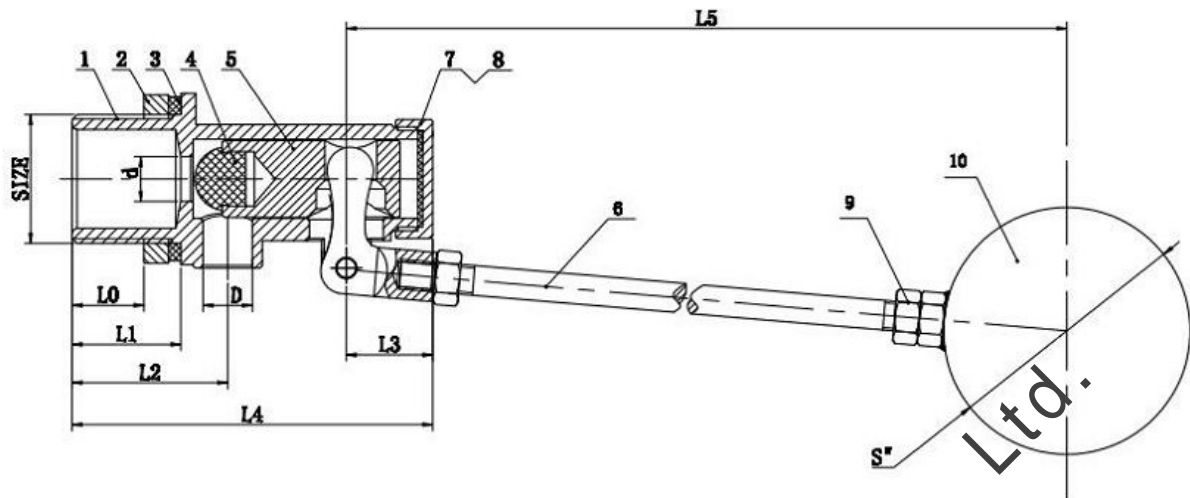


Product Descriptions

Size	1/2"-2"	Pressure	0-0.6MPa
MOQ	240 pieces	Application	General
Temperature	≤100℃	Packing	Plastic bag, box, carton, pallet
Material	SS304, SS316	Test Standard	MSS SP-110, QB/T 1199-1991
Thread Standard	ASME B1.20.1, BS21, DIN2999, ISO228/1		
OEM	Accept customs customized		

Parts and Materials

No.	Part Name	Material	No.	Part Name	Material
1	Body	SS304, SS316	6	Stem	SS304, SS316
2	Lock nut	SS304, SS316	7	Gasket	NBR
3	Gasket	NBR	8	Cover	SS304, SS316
4	Sealing	Silicone, KFM, NBR	9	Nut	SS304, SS316
5	Plug	SS304, SS316	10	Ball	Plastic ABS



Main Connection Dimensions (mm)

Size	L0	L1	L2	L3	L4	L5	d	D	S
1/2"	14	21	30	24	70	275	8	10	115mm
3/4"	15	22	31.5	24	70	275	10	12	115mm
1"	18	28	41	29	90	350	15	16	135mm
1 1/4"	20	31	44	29	94	370	15	16	150mm
1 1/2"	22	32	49	38	115	480	22	24.5	225mm
2"	25	36	57	40	128	500	27	28	250mm