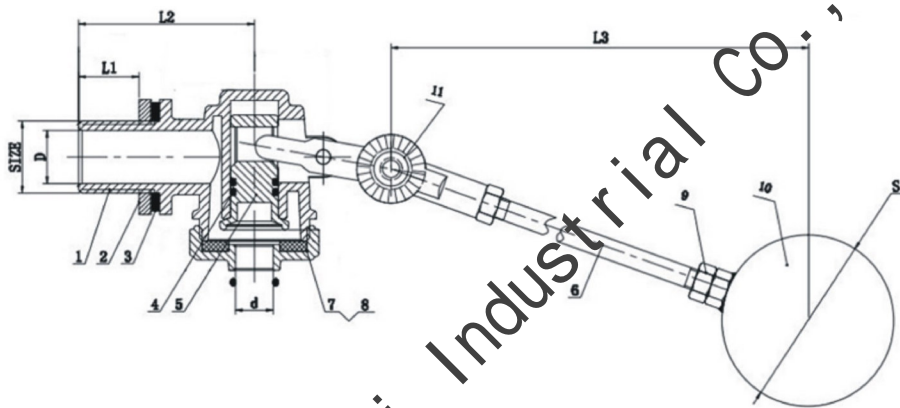


# FS TYPE D FLOAT VALVE



### Technical Data:

Design Standard: QB/T1199-1991, BS 1212  
 Wall thickness standard: ASME B16.34  
 Screw thread standard: ASME B1.20.1, G921  
 DIN 2997/2, ISO 228/1  
 JIS B 0603, ISO 7/1  
 Testing standard: MSS SP-71, EN12266

### Materials:

NO.	Part Name	Material	NO.	Part Name	Material
1	Body	SS304,SS316	7	Sealing	FKM
2	Lock nut	SS304,SS316	8	Cap	SS304,SS316
3	Sealing	NBR	9	Nut	SS304,SS316
4	Sealing	Silicone/FKM	10	Ball	SS304,SS316
5	Plug	SS304,SS316	11	Joint	SS304,SS316
6	Stem	SS304,SS316			

### Dimensions:

Size	L1	L2	L3	d	D	S
1/2"	16	56	290	12	15	115mm
3/4"	16	56	290	15	19	115mm
1"	20	60	290	21	26	135mm
1 1/4"	20	68	400	24	35	135mm
1 1/2"	22	74	400	26	40	150mm
2"	25	84	400	31	50	150mm