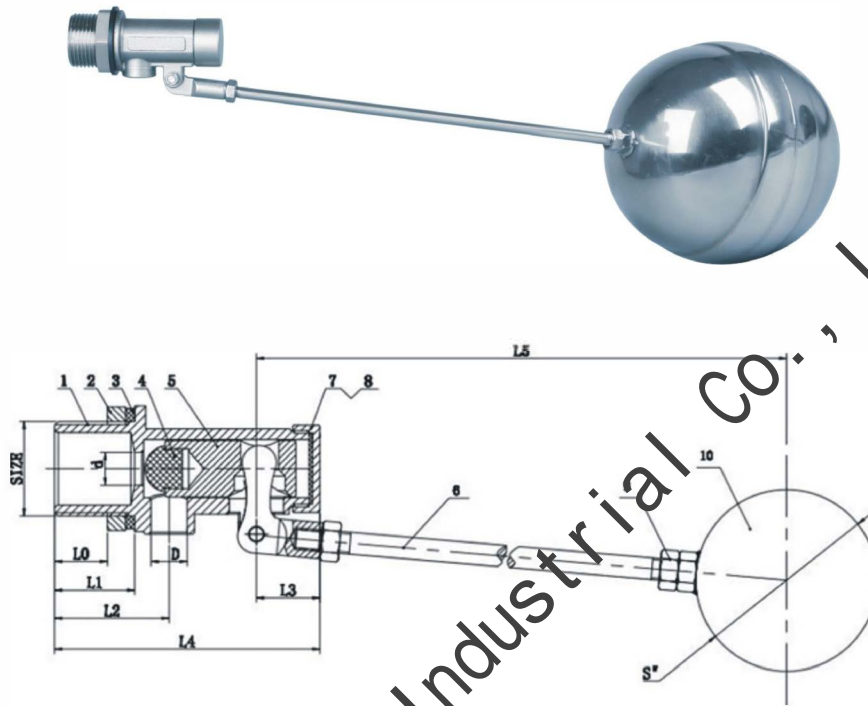


## FS TYPE C FLOAT VALVE



### Technical Data:

Design Standard: QB/T1199-1991, BS 1212  
 Wall thickness standard: ASME B16.34  
 Screw thread standard: ASME B1.20.1, BS 21  
 DIN 2999/59, ISO 228/1  
 JIS B 0203, ISO 7/1  
 Testing standard: MSS SP-110, EN12266

### Materials:

NO.	Part Name	Material	NO.	Part Name	Material
1	Body	SS304,SS316	6	Stem	SS304,SS316
2	Lock Nut	SS304,SS316	7	Sealing	PTFE
3	Gasket	NBR	8	Cap	SS304,SS316
4	Plug	SI, NBR	9	Nut	SS304,SS316
5	Piston	SS304,SS316	10	Ball	SS304,SS316

### Dimensions:

Size	L0	L1	L2	L3	L4	L5	d	D	S
1/2"	14	21	30	24	70	275	8	10	110mm
3/4"	15	22	31.5	24	70	275	10	12	110mm
1"	18	28	41	29	90	350	15	16	135mm
1 1/4"	20	31	44	29	94	370	15	16	150mm
1 1/2"	22	32	49	38	115	480	22	24.5	225mm
2"	25	36	57	40	128	500	27	28	250mm