



Automatic Water Control Float Valve with Plastic Ball

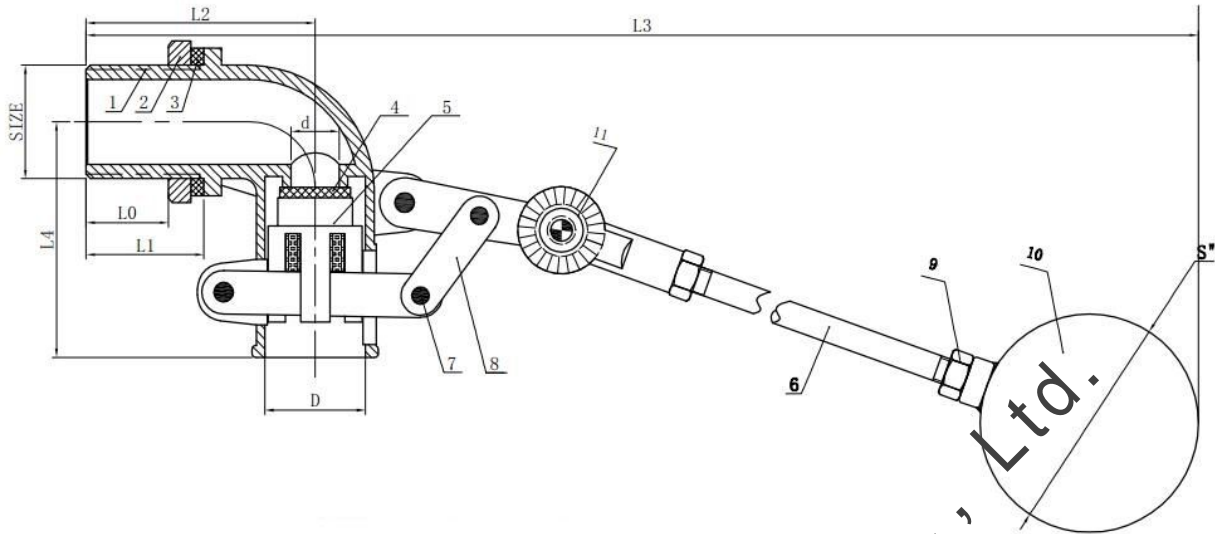


Product Descriptions

Size	1/2"-2"	Pressure	0-0.8MPa
MOQ	600 pieces	Application	General
Temperature	≤100℃	Packing	Plastic bag, box, carton, pallet
Material	SS304, SS316	Test Standard	MSS SP-110, QB/T 1199-1991
Thread Standard	ASME B1.20.1, BS21, DIN2999, ISO228/1		
OEM	Accept customers customized		

Parts and Materials

No.	Part Name	Material	No.	Part Name	Material
1	Body	SS304, SS316	7	Pin	SS304, SS316
2	Lock nut	SS304, SS316	8	Level	SS304, SS316
3	Gasket	NBR	9	Nut	SS304, SS316
4	Sealing	Silicone, KFM, NBR	10	Ball	Plastic ABS
5	Plug	POM	11	Regulator	SS304, SS316
6	Stem	SS304, SS316			



Main Connection Dimensions (mm)

Size	L0	L1	L2	L3	L4	d	D	S
1/2"	17	25	50	400	47	8.5	18	115mm
3/4"	19	27	54	500	54	11	23	135mm
1"	19	28	55	530	70	16	30	150mm
1 1/4"	19	30	70	750	92	20	42	200mm
1 1/2"	24	36	75	760	95	23	42	200mm
2"	25	37	80	820	115	28	50	220mm

Flowspec Luokai Industrial Co., Ltd.