



Products Introduction

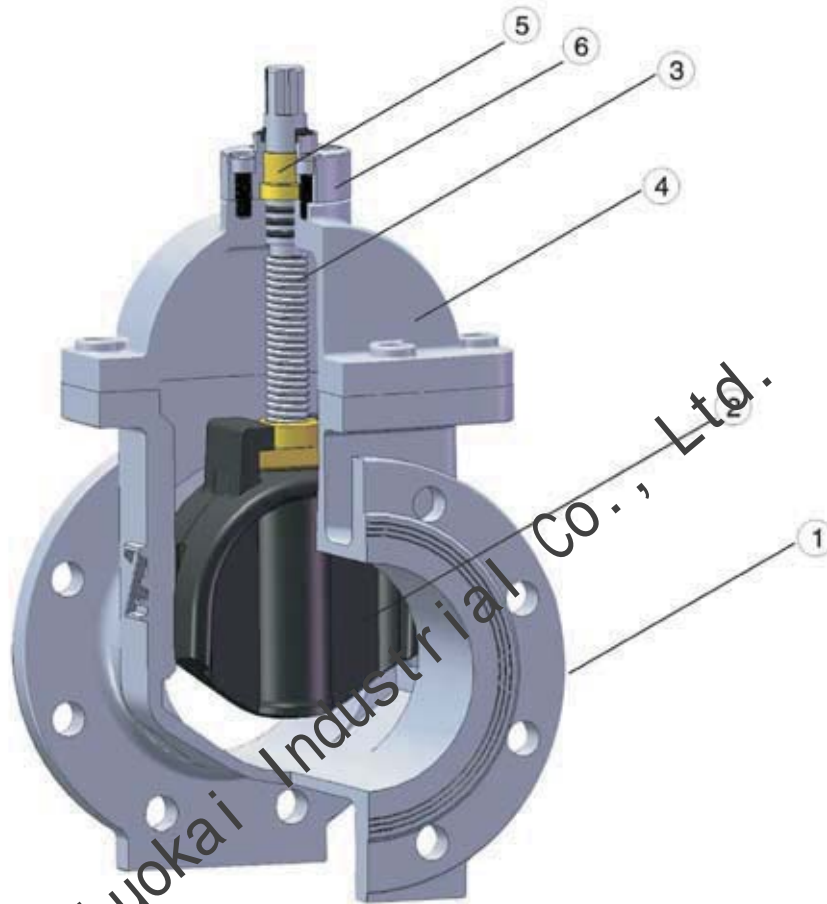
Rubber Seated Gate Valve

Z45X Rubber seated gate valve

Flowspec Luokai Industrial Co., Ltd.



To BS5150/BS5163 type A
 Face to face dimension to BS 5163
 Flanges and drilling to ISO7005-2(EN1092-2, DIN 2501)



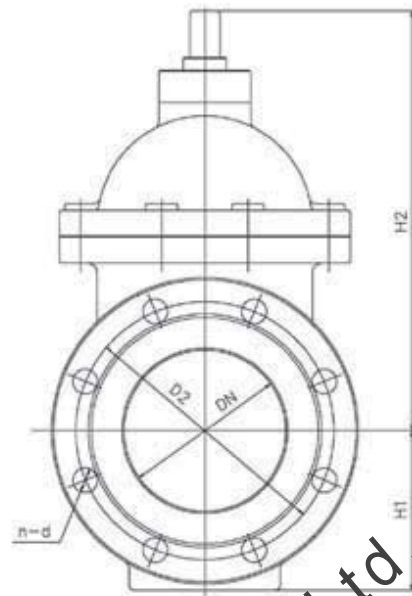
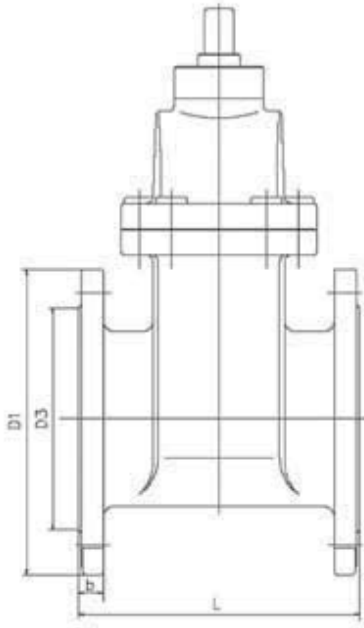
Flowspec Luokai Industrial Co., Ltd.

Component list

Sr-no	Part name	Material
1	Body	Ductile iron
2	Wedge	Ductile iron +EPDM or NBR
3	Stem	Stainless steel +Al-Bronze
4	Bonnet	Ductile iron
5	Bearing	Environmental protection steel base
6	Gland	Ductile iron

Product technical parameters:

PN	0.6	1.0	1.6	2.0	2.5	4.0
DN	50-500	50-500	50-500	50-350	50-300	50-300
Seal test	0.66	1.10	1.76	2.20	2.75	4.40
Shell test	0.90	1.50	2.40	3.00	3.75	6.00
Suitable temperature:-10-80°C						
Suitable medium:water, oil, air and weak corrosive fluid etc.						
Operation type:Square head or handwheel,wormgear,pneumatic,electric.						



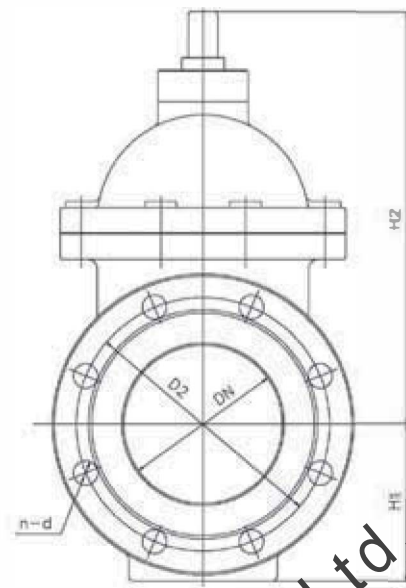
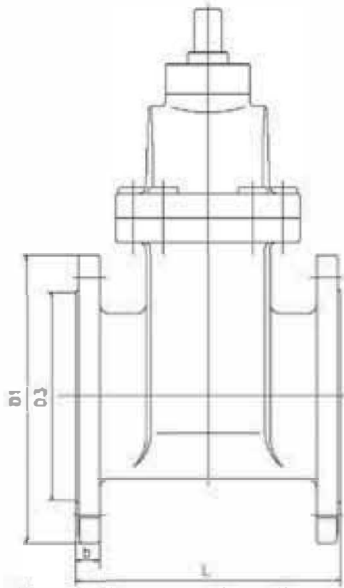
Outline and connection dimensions

DN	PN	D1	D2	D3	L	b	n-d	H1*	H2*
50	0.6	140	110	88	178	16	4-Φ14	82	210
	1	165	125	99		18	4-Φ19		
	1.6	155	120.5	92		16	4-Φ18		
	2.5	165	125	99		19	4-Φ19		
	4	178	132	102		19	4-Φ19		
80	0.6	190	150	124	203	18	4-Φ19	105	260
	1	200	160	132		19	8-Φ19		
	1.6	190	152.5	127		19	4-Φ18		
	2.5	200	160	132		19	8-Φ19		
	4	283	170	144		18	4-Φ19		
100	0.6	220	180	156	229	19	8-Φ19	115	305
	1	230	190.5	157		24	8-Φ18		
	1.6	235	190	156		19	8-Φ23		
	2.5	305	225	199		20	8-Φ19		
	4	267	240	211		19	8-Φ23		
150	0.6	280	241.5	216	267	25.5	8-Φ22	148	390
	1	300	250	211		20	8-Φ28		
	1.6	403	26	8-Φ28					
	2.5	20	8-Φ28						
	4	26	8-Φ28						

Remarks: The dimension with* in the form is only for your reference.

The detailed dimension will be based on the actual product.

If there is any request for larger sizes, please contact us in detail.



Outline and connection dimensions

DN	PN	D1	D2	D3	L	b	n-d	H1*	H2*
200	0.6	320	280	254	292	22	8-φ19	175	485
	1	340	295	266		20	8-φ23		
	1.6					12-φ23			
	2	345	298.5	270		26.5	8-φ22		
	2.5	360	310	274		28	12-φ28		
4	375	320	284	419	30	12-φ31			
250	0.6	375	335	309	330	24	12-φ19	200	575
	1	395	350	319		22	12-φ23		
	1.6	405	355	319		22	12-φ28		
	2					30	12-φ26		
	2.5	425	370	330		24.5	12-φ31		
4	450	385	345	457	34.5	12-φ34			
300	0.6	440	395	363	356	24	12-φ23	230	650
	1	445	400	370		24.5	12-φ23		
	1.6	485	410	370		24.5	12-φ28		
	2					32	12-φ26		
	2.5	485	432	381		27.5	16-φ31		
4	515	450	409	502	39.5	16-φ34			
350	0.6	490	445	413	381	26	12-φ23	260	750
	1	505	460	429		24.5	16-φ23		
	1.6	520	470	429		26.5	16-φ28		
	2	535	476	413		35	12-φ29.5		
400	0.6	540	495	463	406	28	16-φ23	290	645
	1	565	515	480		24.5	16-φ28		
	1.6	580	525	480		28	16-φ31		
450	0.6	595	550	518	432	28	16-φ23	315	930
	1	615	565	530		25.5	20-φ28		
	1.6	640	585	548		30	20-φ31		
500	0.6	645	600	568	457	30	20-φ23	345	1000
	1	670	620	582		26.5	20-φ28		
	1.6	715	650	609		31.5	20-φ34		

If there is any request for larger sizes, please contact us in detail.