

Double Orifice Air Release Valve -Typical Type

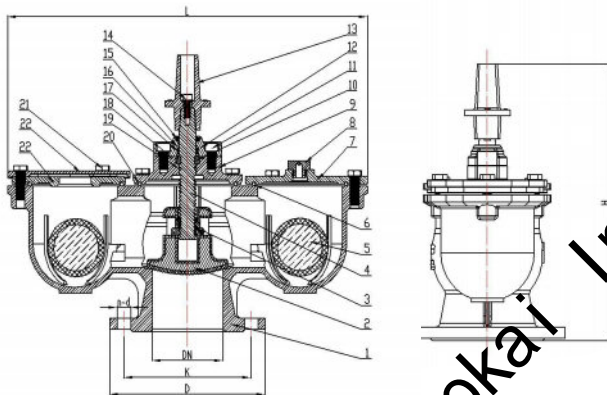


APPLICATION

SIZE	DN50-200
CLASS	PN10/16 CL125/150
DESIGN	EN1074-4
END FLANGE	EN1092-2,ASME B16.1/16.42,AS4087
TESTS	EN10266

MATERIAL LIST

STANDARD MATERIALS OF MAIN PARTS			
ITEM	PARTNAME	MATERIAL	STANDARD
1	Body	GGG50	DIN 1693
2	Disc	EPDM+GGG50	ISO 4633
3	Stem Nut	CuZn39Pb1	EN 12167
4	Stem	SS420	ASTM A959
5	Ball	EPDM+Stainless steel	ASTMA276
6	O Ring	NBR	ISO 4633
7	Right Cover	GGG50	DIN 1693
8	Exhaust Nut	CuZn39Pb1	EN 12167
9	Bonnet	GGG50	DIN 1693
10	Holding Ring	CuZn39Pb1	EN 12167
11	Screw	C45E/1045	EN 10083/ASTMA29
12	Gland	GGG50	DIN 1693
13	Cap	GGG50	DIN 1693
14	Screw	C45E/1045	EN 10083/ASTMA29
15	Dust Ring	NBR	ISO 4633
16	O Ring	NBR	ISO 4633
17	Nylon Sleeve	Nylon 66	
18	O Ring	NBR	ISO 4633
19	O Ring	NBR	ISO 4633
20	O Ring	NBR	ISO 4633
21	Bolts	C45E/1045	EN 10083/ASTMA29
22	Inside Cover	GGG50	DIN 1693
23	Left Cover	GGG50	DIN 1693



DIMENSIONS

DN	OUTLINE mm		END FLANGE PN10/16-CL125/150 mm								
	L	H	EN1092-2			ASME B16.1/B16.42			AS4087		
			D	K	n-d	D	K	n-d	D	K	n-d
50	430	338	165	125	4-Φ19	152	120.5	4-Φ19	-	-	-
80	470	365	200	160	8-Φ19	191	152.5	4-Φ19	185	146	4-Φ18
100	510	380	220	180	8-Φ19	229	190.5	8-Φ19	215	178	4-Φ18
150	655	445	285	240	8-Φ23	279	241.5	8-Φ22	280	235	8-Φ18
200	785	505	340	295	8-Φ23/12-Φ23	343	298.5	8-Φ22	335	292	8-Φ18