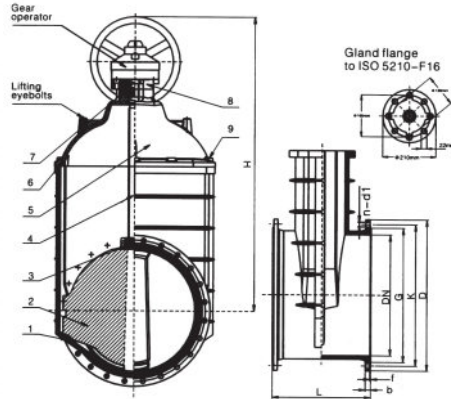


Big Size Resilient Gate Valve



APPLICATION

SIZE	DN350-1000
CLASS	PN10/16/CL125/CL150
DESIGN	EN1171, EN1074-2
FACE TO FACE	EN558-1, ASME B16.10, AS2638
END FLANGE	EN1092-2, ASME B16.1/16.42, AS4087
TESTS	EN12266

MATERIAL LIST

STANDARD MATERIALS OF MAIN PARTS			
ITEM	PART NAME	MATERIAL	STANDARD
1	Body	GGG50/GJS500	DIN 1693/BSEN1563
2	Disc	GGG50+EPDM	DIN 1693
3	Stem Nut	Cuzn39Pb1	EN12167
4	Stem	X20Cr13/420	EN10088-1/ASTMA959
5	Bonnet	GGG50/GJS500	DIN 1693/BSEN1563
6	Bonnet Gasket	NBR	ISO4633
7	O Ring	NBR	ISO4633
8	Gland	GGG50/GJS500	DIN 1693/BSEN 1563
9	Screws	C45E/1045	EN10083-2/ASTMA29

DIMENSIONS

DN	OUTLINE mm					END FLANGE PN10/16-CL125/150 mm								
	BS 5163	DIN F4	API F5	ASME B16.10	AS 2638	EN1092-2			ASME B16.1/B16.42			AS4087		
	L	L	L	L	L	D	K	n-d	D	K	n-d	D	K	n-d
350	381	290	550	381	381	505/520	460/470	16-Φ23/16-Φ28	533	476	12-Φ28	525	470	12-Φ26
400	406	310	600	406	406	565/580	515/525	16-Φ28/16-Φ31	597	540	16-Φ28	580	521	12-Φ26
450	432	330	650	432	432	615/640	565/585	20-Φ28/20-Φ31	635	578	16-Φ32	640	584	12-Φ26
500	457	350	700	457	457	670/715	620/650	20-Φ28/20-Φ34	699	635	20-Φ32	705	641	16-Φ26
600	508	390	800	508	508	780/840	725/770	20-Φ31/20-Φ37	813	749	20-Φ35	825	756	16-Φ30
700	610	430	900	-	610	895/910	840	24-Φ31/24-Φ37	-	-	-	910	845	20-Φ30
800	660	470	1000	-	-	1015/1025	950	24-Φ34/24-Φ41	-	-	-	1060	984	20-Φ36
1000	813	550	1200	-	-	1230/1255	1160/1170	28-Φ37/28-Φ44	-	-	-	1255	1175	24-Φ36