

Wafer PTFE Lined Butterfly Valve with Mounting Pad



Design

- ▣ Flanges- JB78/JB79/ANSI B16.5
- ▣ Design- GB/T12238/ASME B16.34
- ▣ Face-Face- GB/T12221/ASME B16.34
- ▣ Testing- GB/T13927/API598

Design

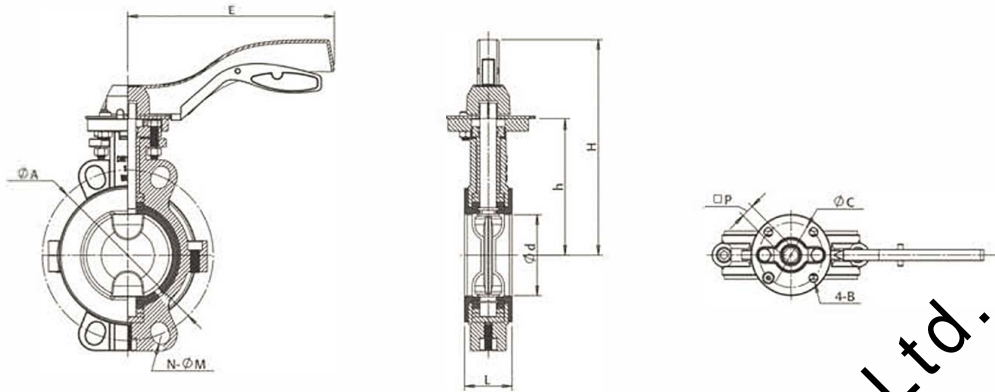
- ▣ Wafer type design
- ▣ Seamless body design
- ▣ Adjustable gland, long service life
- ▣ Flexible silicone rubber back
- ▣ Bidirectional sealing
- ▣ Integrated shaft & disc design
- ▣ PTFE lined shaft design
- ▣ Long service life O-ring design
- ▣ 2-position shaft locating bearing



Name	C. I.	Steel	Stainless Steel	L. C. Stainless Steel		
Body	HT250	WCB	CF8	CF8M	CF3	CF3M
Shaft/Disc	WCB	35(Forged)	CF8	CF8M	CF3	CF3M
Seat	PTFE/PFA/FEP					
O-Ring						
Gasket						
Bolt	35	35	1Cr17Ni2	1Cr17Ni2	1Cr18Ni9Ti	1Cr18Ni9Ti
Nut	45	45	0Cr18Ni9	0Cr18Ni9	0Cr18Ni9	0Cr18Ni9
Lever			1-1/2"~6":		8"~20":	

Wafer PTFE Lined Butterfly Valve with Mounting Pad

Main Connection Dimensions



ANSI 150LB

Unit:mm

Size	DN	L	h	H	A	N	M	P	B	C	P
1-1/2"	40	33	110	142	98.5	4	19	70	7	50	11
2"	50	43	110	145	120.5	4	19	70	7	50	11
2-1/2"	65	46	125	158	139.5	4	19	70	7	50	11
3"	80	46	132	165	152.5	4	19	80	9	70	14
4"	100	52	151	175	190.5	8	19	80	9	70	14
5"	125	56	170	200	216	8	22	105	11	70	17
6"	150	56	188	230	241.5	8	22	105	11	102	17
8"	200	60	235	280	298.5	8	22	Gear Box	13	102	22
10"	250	68	280	320	362	12	25	Gear Box	13	125	22
12"	300	78	300	350	432	12	25	Gear Box	17	125/140	22
14"	350	78	-	420	476	12	29	Gear Box	17	140/165	27
16"	400	102	-	500	540	16	29	Gear Box	21	165	27
18"	450	114	-	500	578	16	32	Gear Box	21	165	36
20"	500	127	-	525	635	20	32	Gear Box	21	165	36

ANSI 300LB

1-1/2"	40	33	110	142	114.5	4	22	70	7	50	11
2"	50	43	110	145	127	8	19	70	7	50	11
2-1/2"	65	46	125	158	149.5	8	22	70	7	50	11
3"	80	46	132	165	168.5	8	22	80	9	70	14
4"	100	52	151	175	200	8	22	80	9	70	14
5"	125	56	170	200	235	8	22	105	11	70	17
6"	150	56	188	230	270	12	22	105	11	102	17
8"	200	60	235	280	330	12	25	Gear Box	13	102	22
10"	250	68	280	320	387.5	16	29	Gear Box	13	125	22
12"	300	78	300	350	451	16	32	Gear Box	17	125/140	22
14"	350	78	-	420	514.5	20	32	Gear Box	17	140/165	27
16"	400	102	-	460	571.5	20	35	Gear Box	21	165	27
18"	450	114	-	500	628.5	24	35	Gear Box	21	165	36
20"	500	127	-	525	686	24	35	Gear Box	21	165	36

Wafer PTFE Lined Butterfly Valve with Mounting Pad

Main Connection Dimensions

GB 0.6Mpa/PN6

Unit:mm

Size	DN	L	D	h	H	A	N	M	E	B	C	P
1-1/2"	40	33	80	110	180	100	4	14	70	7	50	11
2"	50	43	90	110	180	110	4	14	70	7	50	11
2-1/2"	65	46	110	125	195	130	4	14	70	7	50	11
3"	80	46	125	132	212	150	4	18	80	9	70	14
4"	100	52	145	151	231	170	4	18	80	9	70	14
5"	125	56	175	170	260	200	8	18	105	11	70	17
6"	150	56	200	188	278	225	8	18	105	11	102	17
8"	200	60	255	235	475	280	8	18	Gear Box	13	102	22
10"	250	68	310	280	520	335	12	18	Gear Box	13	125	22
12"	300	78	362	300	540	395	12	23	Gear Box	17	125/140	22
14"	350	78	412	-	-	445	12	23	Gear Box	17	140/165	27
16"	400	102	462	-	-	495	16	23	Gear Box	21	165	27
18"	450	114	518	-	-	550	16	23	Gear Box	21	165	36
20"	500	127	568	-	-	600	16	23	Gear Box	21	165	36

GB 1.0Mpa/PN10

Size	DN	L	D	h	H	A	N	M	E	B	C	P
1-1/2"	40	33	85	110	180	110	4	18	70	7	50	11
2"	50	43	100	110	180	125	4	18	70	7	50	11
2-1/2"	65	46	120	125	195	145	4	18	70	7	50	11
3"	80	46	135	132	212	160	4	18	80	9	70	14
4"	100	52	155	151	231	180	8	18	80	9	70	14
5"	125	56	185	170	260	210	8	18	105	11	70	17
6"	150	56	210	188	278	240	8	23	105	11	102	17
8"	200	60	265	235	475	295	8	23	Gear Box	13	102	22
10"	250	68	320	280	520	350	12	23	Gear Box	13	125	22
12"	300	78	368	300	540	400	12	23	Gear Box	17	125/140	22
14"	350	78	428	-	-	460	16	23	Gear Box	17	140/165	27
16"	400	102	482	-	-	515	16	25	Gear Box	21	165	27
18"	450	114	532	-	-	565	20	25	Gear Box	21	165	36
20"	500	127	585	-	-	620	20	25	Gear Box	21	165	36

Wafer PTFE Lined Butterfly Valve with Mounting Pad

Main Connection Dimensions

GB 1.6Mpa/PN16

Unit:mm

Size	DN	L	D	h	H	A	N	M	E	B	C	P
1-1/2"	40	33	85	110	180	110	4	18	70	7	50	11
2"	50	43	100	110	180	125	4	18	70	7	50	11
2-1/2"	65	46	120	125	195	145	4	18	70	7	50	11
3"	80	46	135	132	212	160	8	18	80	9	70	14
4"	100	52	155	151	231	180	8	18	80	9	70	14
5"	125	56	185	170	260	210	8	18	105	11	70	17
6"	150	56	210	188	278	240	8	23	105	11	102	17
8"	200	60	265	235	475	295	12	23	Gear Box	13	102	22
10"	250	68	320	280	520	355	12	25	Gear Box	13	125	22
12"	300	78	375	300	540	410	12	25	Gear Box	17	125/140	22
14"	350	78	435	-	-	470	16	25	Gear Box	17	140/165	27
16"	400	102	485	-	-	525	16	30	Gear Box	21	165	27
18"	450	114	545	-	-	585	20	30	Gear Box	21	165	36
20"	500	127	608	-	-	650	20	34	Gear Box	21	165	36

GB 2.5Mpa/PN25

Size	DN	L	D	h	H	A	N	M	E	B	C	P
1-1/2"	40	33	85	110	180	110	4	18	70	7	50	11
2"	50	43	100	110	180	125	4	18	70	7	50	11
2-1/2"	65	46	120	125	195	145	8	18	70	7	50	11
3"	80	46	135	132	212	160	8	18	80	9	70	14
4"	100	52	155	151	231	190	8	23	80	9	70	14
5"	125	56	188	170	260	220	8	25	105	11	70	17
6"	150	56	218	188	278	250	8	25	105	11	102	17
8"	200	60	278	235	475	310	12	25	Gear Box	13	102	22
10"	250	68	332	280	520	370	12	30	Gear Box	13	125	22
12"	300	78	390	300	540	430	16	30	Gear Box	17	125/140	22
14"	350	78	448	-	-	490	16	34	Gear Box	17	140/165	27
16"	400	102	505	-	-	550	16	34	Gear Box	21	165	27
18"	450	114	555	-	-	600	20	34	Gear Box	21	165	36
20"	500	127	610	-	-	660	20	41	Gear Box	21	165	36