



Universal Wafer Type Butterfly Valve PTFE Lined



Features

- Simple and compact construction
- Small in size and light in weight
- Quick 90° on-off operation, low torque
- Good sealing capability, no leakage
- 360° polished disc assures positive on-off
- Bi-directional, low torque, long service life
- Stainless steel body, anti-corrosion

One valve body can meet multi-standards flanges, including DIN, JIS, ANSI, BS, EN, GB, etc. at the same time

Technical Specifications

Size: DN40~350 (1.5" ~ 14")

Pressure: PN10, PN16, Class125/150LB

Body Materials: Stainless Steel S.S.304(CF8), S.S.316(CF8M), S.S.304L(CF3), S.S.316L(CF3M)

Seat Materials: PTFE, VITON

Disc Materials: Stainless Steel S.S.304(CF8), S.S.316(CF8M), S.S.304L(CF3), S.S.316L(CF3M)

Stem Materials: AISI316, AISI304, AISI316

End Connection: Wafer type

Valve Design: API 609, MSS SP-67

Face to Face: API 609, MSS SP-67, DIN3202, BS EN558-1

Pressure Test: API 598

Flange Drilling: ANSI B16.1 125LB, ANSI B16.5 150LB, BS4504 PN10/PN16, DIN2501 PN10/PN16

Top Flange: ISO5211

Disc Type: With-pin, whole shaft without pin, half shaft without pin

Operated: Lever, worm gear

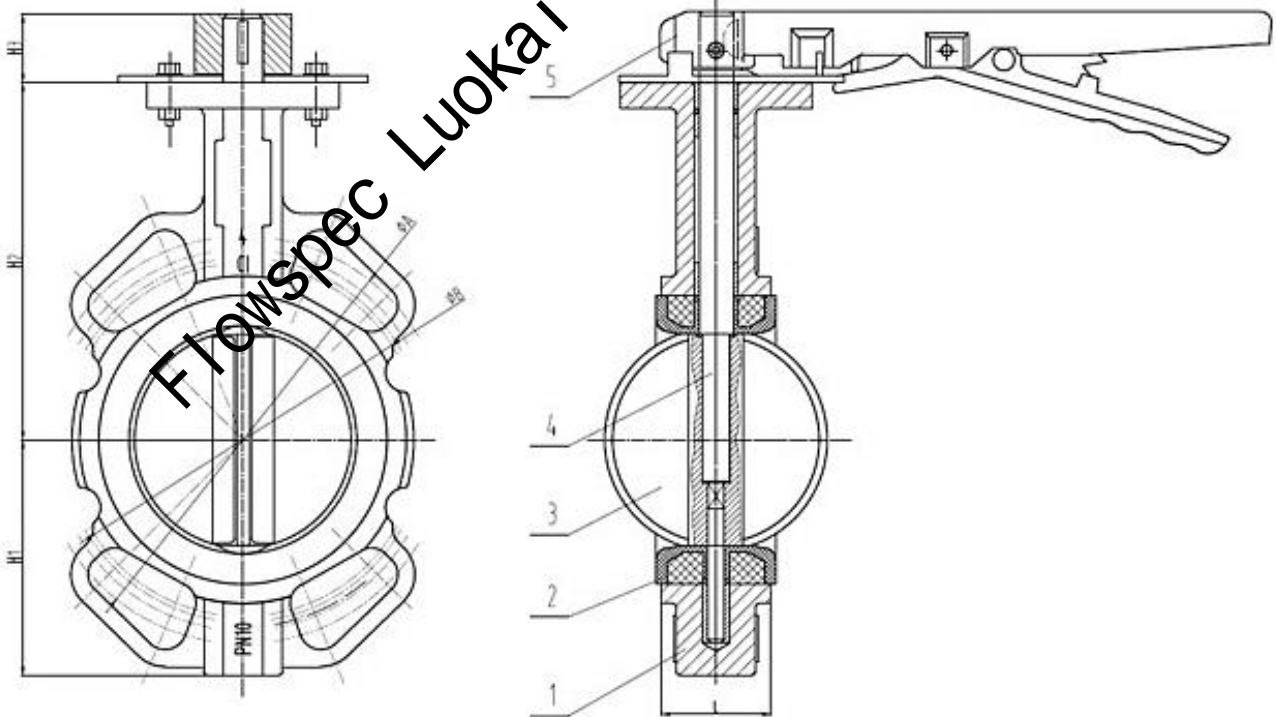
Applicable medium: Water, sewage, sea water, marine, offshore, food, strong corrosive liquids

Applicable temperature: -45°C~+150°C (higher temperature is available upon request)



Main Parts and Materials

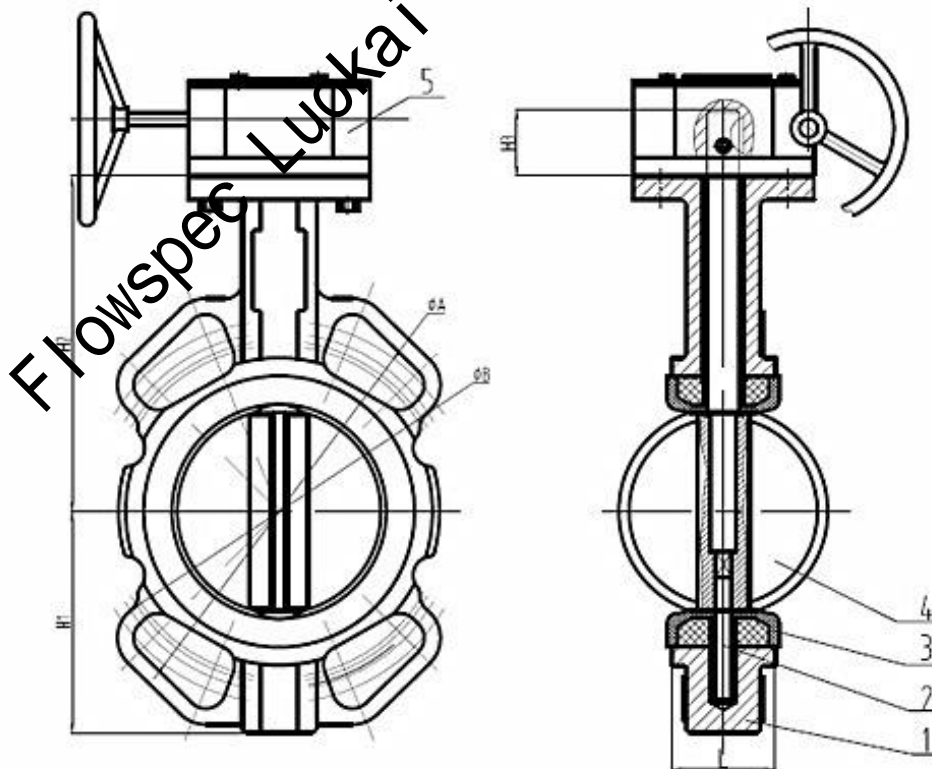
Item	Parts	Materials
1	Body	Stainless Steel S.S.304(CF8), Stainless Steel S.S.316(CF8M) Stainless Steel S.S.304L(CF3), Stainless Steel S.S.316L(CF3M)
2	Seat	PTFE, VITON
3	Shaft	AISI416, AISI431, AISI304, AISI316
4	Disc	Stainless Steel S.S.304(CF8), Stainless Steel S.S.316(CF8M) Stainless Steel S.S.304L(CF3), Stainless Steel S.S.316L(CF3M)
5	Pin	AISI416, AISI431, AISI304, AISI316
6	Packing	NBR, EPDM, PTFE, VITON
7	Bushing	Bronze, PTFE
8	Bolts	SUS304, SUS316
9	Nuts	SUS304, SUS316





Main Connection Dimensions (mm)

SIZE		H1	H2	H3	L	PN 10/16			150LB			JIS 10K			ISO5211
mm	in					øA	øB	N-ød	øA	øB	N-ød	øA	øB	N-ød	Top Flange
40	1.5"	67	141	32	33	110	95	4-ø18	98.5	95	4-ø16	105	95	4-ø19	F05
50	2"	67	141	32	43	125	105	4-ø18	120.6	105	4-ø19	120	105	4-ø19	F05
65	2½"	75	151	32	46	145	127	4-ø18	139.7	127	4-ø19	140	127	4-ø19	F05
80	3"	95	160	32	46	160	145	8-ø18	152.4	145	4-ø19	150	145	8-ø19	F05
100	4"	111	180	32	52	190.5	165	8-ø18	190.5	165	8-ø19	175	165	8-ø19	F07
125	5"	129	193	32	56	215.9	200	8-ø18	215.9	200	8-ø22.4	210	200	8-ø23	F07
150	6"	142	207	32	56	241.3	225	8-ø22	241.3	225	8-ø22.4	240	225	8-ø23	F07
200	8"	170	240	40	60	298.4	280	8-ø22	298.4	280	8-ø22.4	290	280	12-ø23	F10





Main Connection Dimensions (mm)

SIZE		H1	H2	H3	L	PN 10/16			150LB			JIS 10K			ISO5211
mm	in					øA	øB	N-ød	øA	øB	N-ød	øA	øB	N-ød	Top Flange
50	2"	75	129	32	43	125	120	4-ø18	125	120	4-ø19	125	120	4-ø19	F05
65	2½"	82	136	32	46	145	139.7	4-ø18	145	139.7	4-ø19	145	139.7	4-ø19	F05
80	3"	99	153	32	46	160	150	8-ø18	160	150	4-ø19	160	150	8-ø19	F05
100	4"	110	167	32	52	190.5	175	8-ø18	190.5	175	8-ø19	190.5	175	8-ø19	F07
125	5"	125	193	32	56	215.9	210	8-ø18	215.9	210	8-ø22.4	215.9	210	8-ø23	F07
150	6"	145	209	32	56	241.3	240	8-ø22	241.3	240	8-ø22.4	241.3	240	8-ø23	F07
200	8"	170	251	45	60	298.4	290	8-ø22	298.4	290	8-ø22.4	298.4	290	12-ø23	F10
250	10"	210	280	45	68	361.9	350	8-ø18	361.9	350	8-ø22.4	361.9	350	8-ø23	F10
300	12"	240	315	45	78	431.8	400	8-ø22	431.8	400	8-ø22.4	431.8	400	8-ø23	F10
350	14"	260	346	45	78	476.2	445	8-ø22	476.2	445	8-ø22.4	476.2	445	12-ø23	F10

Notes:

As we are constant endeavoring to improve the performance of our equipment.

The company reserves the right to make alteration from time to time and equipment differ from that detailed in this brochure.

Flowspec Luokai Industrial Co., Ltd.