

## DOUBLE FLANGED BUTTERFLY VALVE PTFE LINED

### Main Parts and Materials



#### Design

- ▣ Flange Standard: HG/T 20592-2009  
ASME B16.5
- ▣ Design Standard: GB/T 12238  
ASME B16.34
- ▣ Face to Face: GB/T 12221-2005  
ASME B16.10
- ▣ Testing: GB/T 13927, API 598

#### Structure

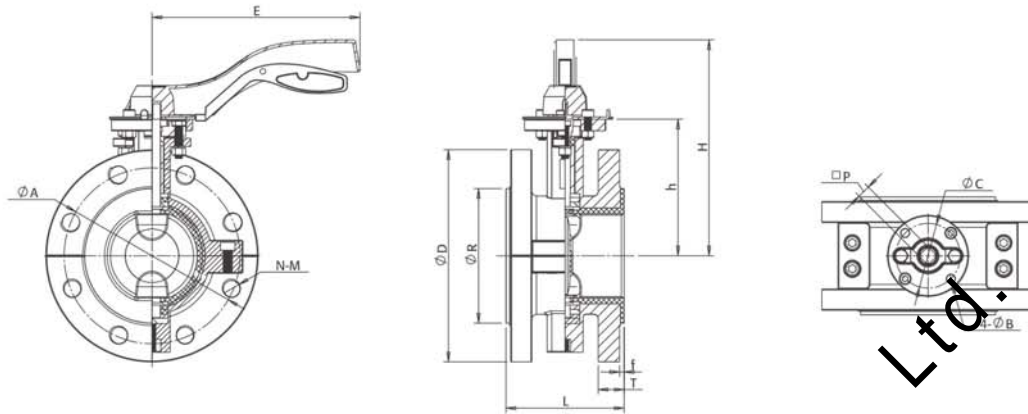
- ▣ Flanged ends
- ▣ Seamless body design, making better seal between body and seat
- ▣ Adjustable gland, long service life
- ▣ Flexible silicone rubber body back
- ▣ Bidirectional seal, no leakage
- ▣ Integrated shaft & disc, low torque
- ▣ PTFE lined shaft, anti-corrosion
- ▣ Long service life O-ring
- ▣ 2 position shaft locating bearing



Part	C. I.	Steel	Stainless Steel		L.C. Stainless Steel	
Body	HT250	WCB	CF8	CF8M	CF3	CF3M
Shaft&Disc	WCB	35(Forged)	CF8	CF8M	CF3	CF3M
Seat	PTFE/PFA/FEP					
O-ring	Viton					
Gasket	Silicone Rubber					
Bolt	35	35	1Cr17Ni2	1Cr17Ni2	1Cr18Ni9Ti	1Cr18Ni9Ti
Nut	45	45	0Cr18Ni9	0Cr18Ni9	0Cr18Ni9	0Cr18Ni9
Lever			1-1/2"~6": Lever		8"~20": Worm Gear	

# DOUBLE FLANGED BUTTERFLY VALVE PTFE LINED

## Main Connection Dimensions



### ANSI 150LB

Unit:mm

Size	DN	L	D	h	H	A	N	M	E	B	C	P
3"	80	127	190	132	212	152.5	4	19	80	9	70	14
4"	100	127	230	151	231	190.5	8	19	80	9	70	14
5"	125	127	255	170	260	216	8	22	105	11	70	17
6"	150	127	280	188	278	241.5	8	22	105	11	102	17
8"	200	152	345	235	475	298.5	8	22	Gear Box	13	102	22
10"	250	203	405	280	520	360	12	25	Gear Box	13	125	22
12"	300	203	485	300	540	420	12	25	Gear Box	17	125/140	22
14"	350	203	535	-	-	476	12	29	Gear Box	17	140/165	27
16"	400	203	595	-	-	540	16	29	Gear Box	21	165	27
18"	450	203	635	-	-	578	16	32	Gear Box	21	165	36
20"	500	203	700	-	-	635	20	32	Gear Box	21	165	36

### ANSI 300LB

3"	80	127	210	132	212	168.5	8	22	80	9	70	14
4"	100	127	255	151	231	200	8	22	80	9	70	14
5"	125	127	270	170	260	235	8	22	105	11	70	17
6"	150	127	320	188	278	270	12	22	105	11	102	17
8"	200	152	380	235	475	330	12	25	Gear Box	13	102	22
10"	250	203	445	280	520	387.5	16	29	Gear Box	13	125	22
12"	300	203	520	300	540	451	16	32	Gear Box	17	125/140	22
14"	350	203	585	-	-	514.5	20	32	Gear Box	17	140/165	27
16"	400	203	650	-	-	571.5	20	35	Gear Box	21	165	27
18"	450	203	710	-	-	628.5	24	35	Gear Box	21	165	36
20"	500	203	775	-	-	686	24	35	Gear Box	21	165	36





## DOUBLE FLANGED BUTTERFLY VALVE PTFE LINED

### Main Connection Dimensions

#### GB 0.6Mpa/PN6

Unit:mm

Size	DN	L	D	h	H	A	N	M	E	B	C	P
1-1/2"	40	106	80	110	180	100	4	14	70	7	50	11
2"	50	108	90	110	180	110	4	14	70	7	50	11
2-1/2"	65	112	110	125	195	130	4	14	70	7	50	11
3"	80	114	125	132	212	150	4	18	80	9	70	14
4"	100	127	145	151	231	170	4	18	80	9	70	14
5"	125	140	175	170	260	200	8	18	105	11	70	17
6"	150	140	200	188	278	225	8	18	105	11	102	17
8"	200	152	255	235	475	280	8	18	Gear Box	13	102	22
10"	250	165	310	280	520	335	12	18	Gear Box	13	125	22
12"	300	178	362	300	540	395	12	23	Gear Box	17	125/140	22
14"	350	190	412	-	-	445	12	23	Gear Box	17	140/165	27
16"	400	216	462	-	-	495	16	23	Gear Box	21	165	27
18"	450	222	518	-	-	550	16	23	Gear Box	21	165	36
20"	500	229	568	-	-	600	16	23	Gear Box	21	165	36

#### GB 1.0Mpa/PN10

Size	DN	L	D	h	H	A	N	M	E	B	C	P
1-1/2"	40	106	85	110	180	110	4	18	70	7	50	11
2"	50	108	100	110	180	125	4	18	70	7	50	11
2-1/2"	65	112	110	125	195	145	4	18	70	7	50	11
3"	80	114	135	132	212	160	4	18	80	9	70	14
4"	100	127	155	151	231	180	8	18	80	9	70	14
5"	125	140	185	170	260	210	8	18	105	11	70	17
6"	150	140	210	188	278	240	8	23	105	11	102	17
8"	200	152	265	235	475	295	8	23	Gear Box	13	102	22
10"	250	165	320	280	520	350	12	23	Gear Box	13	125	22
12"	300	178	368	300	540	400	12	23	Gear Box	17	125/140	22
14"	350	190	428	-	-	460	16	23	Gear Box	17	140/165	27
16"	400	216	482	-	-	515	16	25	Gear Box	21	165	27
18"	450	222	532	-	-	565	20	25	Gear Box	21	165	36
20"	500	229	585	-	-	620	20	25	Gear Box	21	165	36

# DOUBLE FLANGED BUTTERFLY VALVE PTFE LINED

## Main Connection Dimensions

### GB 1.6Mpa/PN16

Unit:mm

Size	DN	L	D	h	H	A	N	M	E	B	C	P
1-1/2"	40	106	85	110	180	110	4	18	70	7	50	11
2"	50	108	100	110	180	125	4	18	70	7	50	11
2-1/2"	65	112	120	125	195	145	4	18	70	7	50	11
3"	80	114	135	132	212	160	8	18	80	9	70	14
4"	100	127	155	151	231	180	8	18	80	9	70	14
5"	125	140	185	170	260	210	8	18	105	11	70	17
6"	150	140	210	188	278	240	8	23	105	11	102	17
8"	200	152	265	235	475	295	12	23	Gear Box	13	102	22
10"	250	165	320	280	520	355	12	25	Gear Box	13	125	22
12"	300	178	375	300	540	410	12	25	Gear Box	17	125/140	22
14"	350	190	435	-	-	470	16	25	Gear Box	17	140/165	27
16"	400	216	485	-	-	525	16	30	Gear Box	21	165	27
18"	450	222	545	-	-	585	20	30	Gear Box	21	165	36
20"	500	229	608	-	-	650	20	34	Gear Box	21	165	36

### GB 2.5Mpa/PN25

Size	DN	L	D	h	H	A	N	M	E	B	C	P
1-1/2"	40	106	85	110	180	110	4	18	70	7	50	11
2"	50	108	100	110	180	125	4	18	70	7	50	11
2-1/2"	65	112	120	125	195	145	8	18	70	7	50	11
3"	80	114	135	132	212	160	8	18	80	9	70	14
4"	100	127	160	151	231	190	8	23	80	9	70	14
5"	125	140	188	170	260	220	8	25	105	11	70	17
6"	150	140	218	188	278	250	8	25	105	11	102	17
8"	200	152	278	235	475	310	12	25	Gear Box	13	102	22
10"	250	165	332	280	520	370	12	30	Gear Box	13	125	22
12"	300	178	390	300	540	430	16	30	Gear Box	17	125/140	22
14"	350	190	448	-	-	490	16	34	Gear Box	17	140/165	27
16"	400	216	505	-	-	550	16	34	Gear Box	21	165	27
18"	450	222	555	-	-	600	20	34	Gear Box	21	165	36
20"	500	229	610	-	-	660	20	41	Gear Box	21	165	36