

SLP 2/2-Way Large diameter Pilot Operated Solenoid Valve · Normally Closed

- 1: 2-Way normally closed solenoid valve, Closed when de-energized, open when energized.
- 2: Body material: 316 stainless steel
- 3: Max. Allowable pressure 20kgf/cm²; Ambient Temp. 0°C-65°C
- 4: Serialized products, small in size, large flow rate, widely use
- 5: Flow as the arrow, mounts in any position; Best position is Solenoid vertical and upright direction.
- 6: Voltage: 220VAC/230VAC/240VAC/110VAC/24VAC 50/60HZ 24VDC/12VDC;
Voltage Tolerance: +10% to -10% applicable voltage
- 7: Coil can fix Germany Nass Coil, for orifice under DN25 only.
- 8: This series valves are offered NBR、VITON、EPDM etc
for Seals and diaphragm to provide on-off control of various fluids.
- 9: Coil can fix SM Coil. AC 220V/AC110V/AC24V/DC24V



Valve Selection List

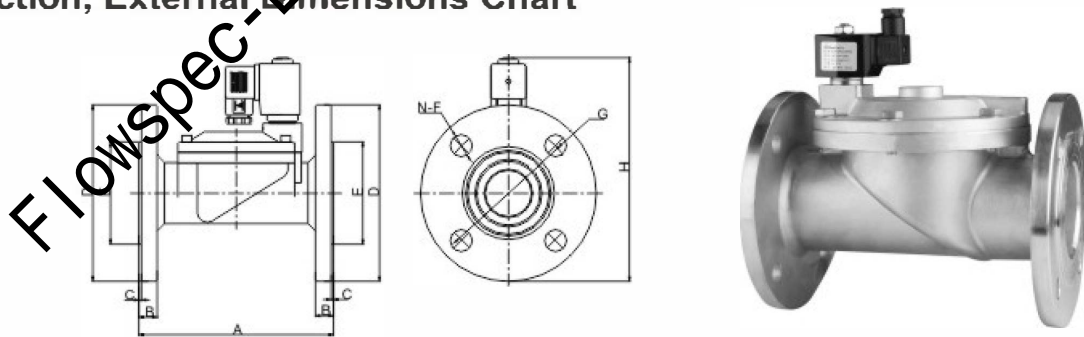
Pipe Conn-ection	Orifice mm	CV Factor	Min.	Operating pressure differential (kgf/cm ²) Max.			Max. Fluids Temp.	Coil Type	Power consumption		Coil Class	External Dimensions Length x Width x Height A x B x H	Model Code Follows Voltage Are 220VAC 50/60HZ	Weight (KG)
				Air Gas	Water Hot water Liquids	Light oil ≤ 20CST			VA 220 V	W 24 V				
3/8"	13	4.5	0.5	16	16	13	80	D	22	13	F	66×48×107	SLP1DF02N3C13	0.75
	13	4.5	0.5	16	16		130	D	22	13	F	66×48×107	SLP1DF02E3C13	0.75
	13	4.5	0.5	16	16	13	120	D	22	13	F	66×48×107	SLP1DF02V3C13	0.75
1/2"	13	4.5	0.5	16	16	13	80	D	22	13	F	66×48×107	SLP1DF02N3D13	0.7
	13	4.5	0.5	16	16		130	D	22	13	F	66×48×107	SLP1DF02E3D13	0.7
	13	4.5	0.5	16	16	13	120	D	22	13	F	66×48×107	SLP1DF02V3D13	0.7
3/4"	20	7.6	0.5	16	16	13	80	D	22	13	F	75×58×112	SLP1DF02N3E20	0.9
	20	7.6	0.5	16	16		130	D	22	13	F	75×58×112	SLP1DF02E3E20	0.9
	20	7.6	0.5	16	16	13	120	D	22	13	F	75×58×112	SLP1DF02V3E20	0.9
1"	25	12	0.5	16	16	13	80	D	22	13	F	96×70×131	SLP1DF02N3G25	1.3
	25	12	0.5	16	16		130	D	22	13	F	96×70×131	SLP1DF02E3G25	1.3
	25	12	0.5	16	16	13	120	D	22	13	F	96×70×131	SLP1DF02V3G25	1.3
1 1/4"	35	22	0.5	16	16	13	80	D	22	13	F	131×96×146	SLP1DF02N3H35	2.6
	35	22	0.5	16	16		130	D	22	13	F	131×96×146	SLP1DF02E3H35	2.6
	35	22	0.5	16	16	13	120	D	22	13	F	131×96×146	SLP1DF02V3H35	2.6
1 1/2"	40	30	0.5	16	16	13	80	D	22	13	F	131×96×146	SLP1DF02N3J40	2.5
	40	30	0.5	16	16		130	D	22	13	F	131×96×146	SLP1DF02E3J40	2.5
	40	30	0.5	16	16	13	120	D	22	13	F	131×96×146	SLP1DF02V3J40	2.5
2"	50	48	0.5	16	16	13	80	D	22	13	F	165×120×167	SLP1DF02N3K50	4.4
	50	48	0.5	16	16		130	D	22	13	F	165×120×167	SLP1DF02E3K50	4.4
	50	48	0.5	16	16	13	120	D	22	13	F	165×120×167	SLP1DF02V3K50	4.4

SLP 2/2-Way Large diameter Pilot Operated Solenoid Valve · Normally Closed

Valve Selection List (Flange Connection)

Orifice mm	CV Factor	Operating pressure differential (kgf/cm ²)								Max. Fluids Temp.	Coil F class Type	Power consumption		Model Code Follows Voltage are 220VAC 50/60HZ	Weight (KG)
		Min.	Max.						VA AC 220 V			W DC 24 V			
			Air Gas		Water Hot water Liquids		Light oil								
			AC	DC	AC	DC	AC	DC							
25	12	0.5	16	16	16	16	13	13	80	D	22	13	SLP1DF02N3F25	2.7	
25	12	0.5	16	16	16	16			120	D	22	13	SLP1DF02E3F25	2.7	
25	12	0.5	16	16	16	16	13	13	120	D	22	13	SLP1DF02V3F25	2.7	
35	22	0.5	16	16	16	16	13	13	80	D	22	13	SLP1DF02N3F35	5	
35	22	0.5	16	16	16	16			120	D	22	13	SLP1DF02E3F35	5	
35	22	0.5	16	16	16	16	13	13	120	D	22	13	SLP1DF02V3F35	5	
40	30	0.5	16	16	16	16	13	13	80	D	22	13	SLP1DF02N3F40	5.3	
40	30	0.5	16	16	16	16			120	D	22	13	SLP1DF02E3F40	5.3	
40	30	0.5	16	16	16	16	13	13	120	D	22	13	SLP1DF02V3F40	5.3	
50	48	0.5	16	16	16	16	13	13	80	D	22	13	SLP1DF02N3F50	7.9	
50	48	0.5	16	16	16	16			120	D	22	13	SLP1DF02E3F50	7.9	
50	48	0.5	16	16	16	16	13	13	120	D	22	13	SLP1DF02V3F50	7.9	
65	52	0.5	12	10	12	10	8	6	80	D	33	20	SLP1DF02N4F65	13.5	
65	52	0.5	12	10	12	10			120	D	33	20	SLP1DF02E4F65	13.5	
65	52	0.5	12	10	12	10	8	6	120	D	33	20	SLP1DF02V4F65	13.5	
80	80	0.5	12	10	12	10	8	6	80	D	33	20	SLP1DF02N4F80	15.6	
80	80	0.5	12	10	12	10			120	D	33	20	SLP1DF02E4F80	15.6	
80	80	0.5	12	10	12	10	8	6	120	D	33	20	SLP1DF02V4F80	15.6	
100	128	0.5	12	10	12	10	8	6	80	D	33	20	SLP1DF02N4F100	22	
100	128	0.5	12	10	12	10			120	D	33	20	SLP1DF02E4F100	22	
100	128	0.5	12	10	12	10	8	6	120	D	33	20	SLP1DF02V4F100	22	

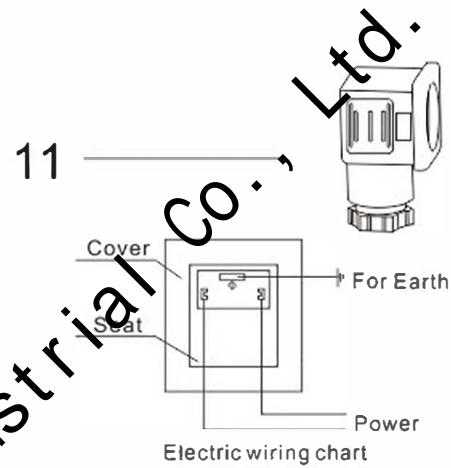
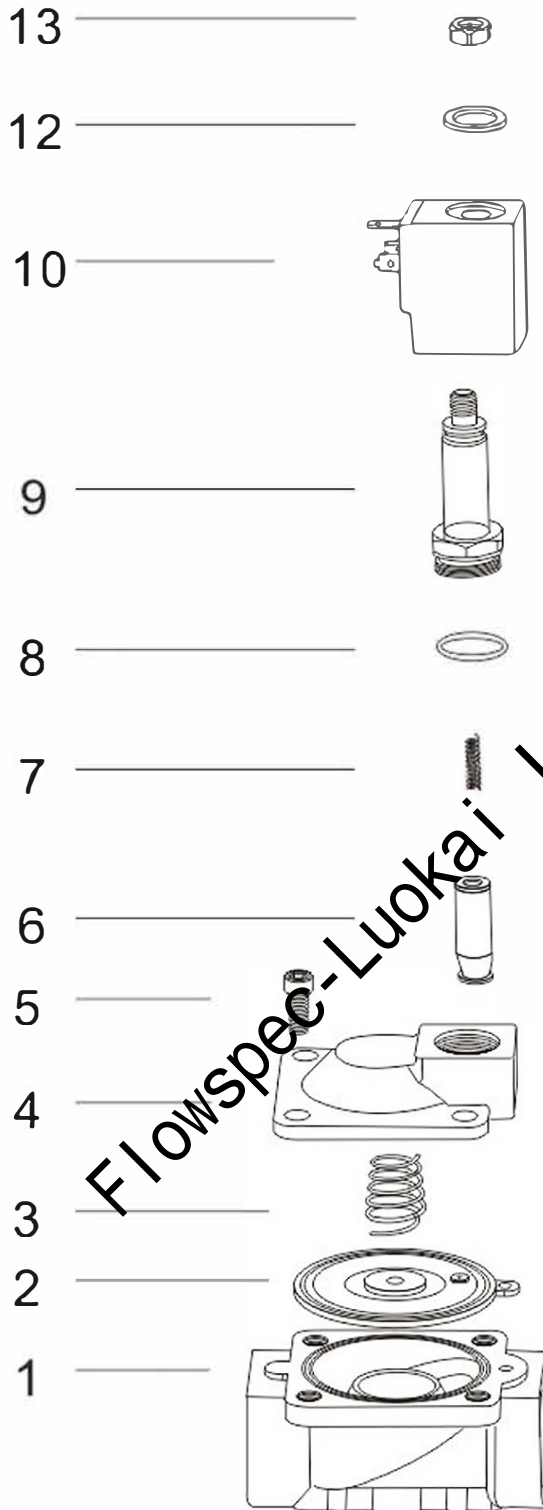
Construction, External Dimensions Chart



	A	B	C	ΦD	ΦE	N-ΦF	ΦG	H
DN25	134	13	2	110	58	4-14	85	160
DN32	160	15	2	135	74	4-18	100	175
DN40	160	15	2	145	84	4-18	110	180
DN50	200	16	2	160	88	4-18	125	207
DN65	250	19	3	185	118	4-18	145	250
DN80	270	19	3	202	134	4-18	160	262
DN100	342	21	3	222	162	8-18	180	287

SLP 2/2-Way Large diameter Pilot Operated Solenoid Valve • Normally Closed

Components Chart



Code	Components
01	Valve Body
02	Diaphragm
03	Diaphragm Spring
04	Valve Cover
05	Bolts
06	Plunger Assembly
07	Plunger Spring
08	O Ring $\phi 18 \times 1.5$
09	Plunger Tube Assembly
10	Coil
11	Plug
12	Gasket
13	Locknut