

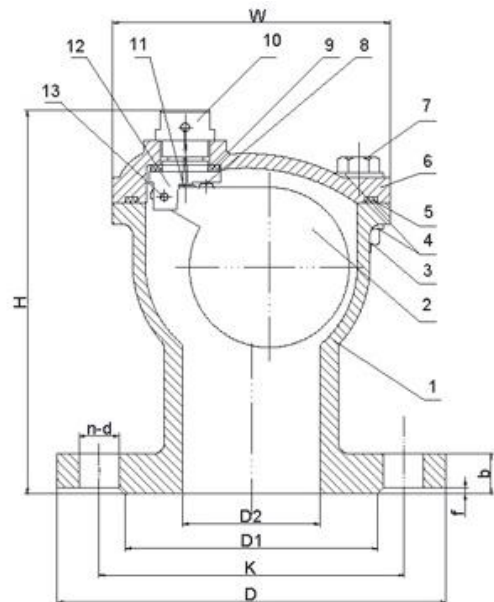


## Single Orifice Air Valve with Integral Valve



### Technical Specifications

1. Design according to BS EN1074-4: 2000, BS5163:2004
2. Flanged ends: EN 1092-2: 1997
3. Test according to EN 12266-1: 2012
4. Working pressure: 16bar
5. Hydraulic test: 1.5PN (25bar)
6. Leakage test: 1.1PN (18bar)
7. Applicable medium: water, neutral oil
8. Applicable temperature:  $\leq 80^{\circ}\text{C}$
9. Interior and exterior fusion bonded powder epoxy resin with minimum dry film thickness of 250 microns
10. Special: WRAS approved





## Main Parts and Materials

No.	Part Name	Material	Standards	
1	Body	Ductile Iron	EN1563-GJS-450	BS2789
2	Float	ABS		
3	Nut	Carbon Steel	EN ISO4032	BS3692
4	Washer	Carbon Steel	EN ISO7089	BS4320
5	O-ring	EPDM	EN681-1	BS2494
6	Cover	Ductile Iron	EN1563-GJS-450	BS2789
7	Hexagon Bolt	Carbon Steel	EN ISO4017	BS3692
8	Adjusting Screw	Stainless Steel	EN ISO15481	BS4174
9	Gasket	EPDM	EN681-1	BS2494
10	Cap	Nylon/Brass		
11	Seat	EPDM	EN681-1	BS2494
12	Bracket	Nylon		
13	Hinge Pin	Stainless Steel	EN ISO1234	BS1574

## Main Connection Dimensions

DN	D2	H	D	K	D1	n-d	b	f	W
50	65	182	165	125	99	4-19	19	3	132
65	65	182	185	145	118	4-19	19	3	132
80	65	182	200	160	132	8-19	19	3	132

Flowspec Luokai Industrial Co., Ltd.