

SLC Series Water Dispenser Plastic Solenoid Valve · Normally Closed

SLC Water Valve

2-way normallyclosed, 1/8 & 1/4 pipe size, plastic valvebody

Specification

Direct acting、 Normally closed
Response time: 6~20MSEL
Mounting: Solenoid vertical and upright direction. Fixing screw M5

Using

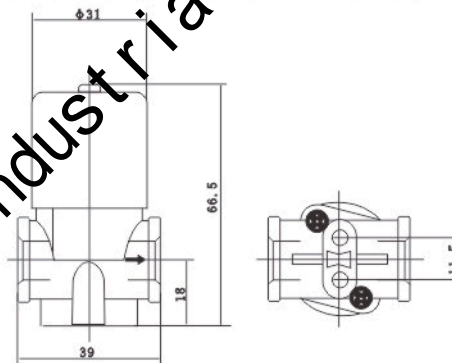
Fluid media: water
Fluids temp.: 0°C ~ 100°C
Ambient temp.: -10°C ~ +40°C



Characteristics

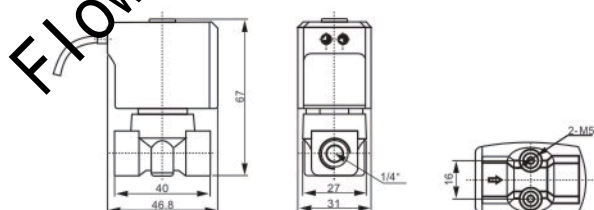
Power consumption: AC 6.8VA (Holding) DC 5W
Voltage: AC: 24V 110V 220V 50/60Hz, DC: 24V
Voltage Tolerance: -10%
Coil class: Class B 130
Duty cycle: 100%
lead length: 30 CM(12")

Construction, External Dimensions Chart



Component Material

Plunger: 1J117
Seals: EPDM
Body: PP, 1/8(black), 1/4(white), nylon 66
Shading Ring: red copper



SLC5~6

Technical Parameter

Pipe size	Orifice	CV	Operating Pressure PSI			Model Code	Weight (KG)
			MIN	MAX-AC	MAX-DC		
1/8"	2.5(3/32)	0.21	0	120	120	SLC1	0.12
1/4"	2.5(3/32)	0.21	0	120	120	SLC2	
1/8"	3.0	0.23	0	100	100	SLC5	0.2
1/4"	3.0	0.23	0	100	100	SLC6	