



FRPP、PVDF、CPVC、UPVC、PPH

产品结构特点 Main structural features

① 提高长期性能

阀体的球面化和薄壁化，得到了优异的耐久性和流量特性。而且，采用了法兰过盈旋紧阀体的防止措施，在配管法兰旋紧时，阀体和法兰接触，防止阀座产生破损。

② 全面树脂化

采用优异的耐腐蚀性树脂，进一步扩大了树脂阀门的用途。

③ 操作方法变得更加容易

拆卸手柄和锁定板，从手柄式转换为齿轮式、自动阀变得更加容易。

④ 可更改手柄的开启方向

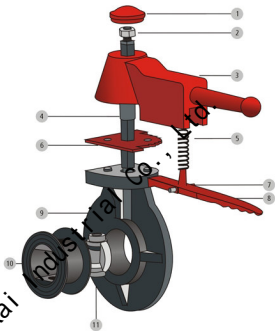
手柄和锁定板具有180度的设置转向功能，可在现场进行手柄操控方向的更改。

① To improve the long-term performance
Spherical body and thin-walled, and have been excellent durability and flow characteristics. Moreover, the use of a flange of the valve body to prevent over-tightened measures, tightened up in the piping flange, the result of valve and flange of the contact, have a seat to prevent damage.

② Of the full resin
Excellent corrosion resistance using resin, the resin to further expand the use of valves.

③ Easier operation
The demolition of the handle and lock plate, the conversion from the handle to the gear-type automatic valve easier.

④ Can change the direction of opening and closing handle Plate with handle and lock settings 180-degree shift function, the handle can be manipulated in the field changes direction.



手柄式蝶阀装配明细图

Hand Wheel Type Butterfly Valve detailed assembly plans

零件材质表 Part material list

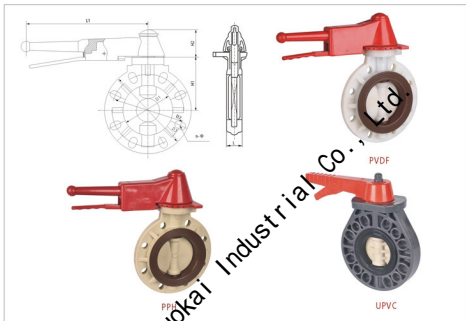
件号No.	名称 Name	材质 Material	件号No.	名称 Name	材质 Material
1	手柄盖 Handle head	合金料 Alloy material	7	销 Pin	钢 Steel
2	六角螺母 Hexagonal nut	钢、不锈钢 Steel, Stainless Steel	8	定位杆 Locating rod	合金料 Alloy material
3	手柄 Hand wheel	合金料 Alloy material	9	阀体 Body	FRPP/PVDF, CPVC, UPVC, PPH
4	阀杆 Stem	钢、不锈钢 Steel, Stainless Steel	10	密封橡胶 Sealing rubber	EPDM, FPM
5	弹簧 Spring	钢 Steel	11	阀瓣 Disc	FRPP/PVDF, CPVC, UPVC, PPH
6	调节定位板 Adjust the positioning plate	合金料 Alloy material			



手柄式蝶阀

Hand wheel type butterfly valve

执行标准: GB/T2725-2011



外形尺寸表 Dimension List

公称直径 Nominal diameter DN(mm)	内径 inner diameter (D1)	法兰间距 (D2)		法兰外径 flange outer diameter (D3)	L1	L	H1	H2	n-φ	工作压力 working pressure (Mpa)	传动方式 transmission way
		JIS	ANSI								
40	41	110	105	3.88	150	200	40	86	70	4-18	0.7
50	56	125	120	4.75	160	220	43	88	70	4-18	0.7
65	71	145	140	5.5	180	220	45	100	70	4-18	0.7
80	85	160	150	6	195	280	45	105	85	8-18	0.7
100	105	180	175	7.5	220	280	55	118	85	8-18	0.6
125	131	210	210	8.5	250	300	65	163	93	8-18	0.5
150	153	240	240	9.5	285	300	75	176	93	8-22	0.5

此阀门可根据客户要求加装执行器, 可安装气动电动执行器或减速齿轮箱, 运用相关材料快速安装模块, 螺栓孔尺寸符合相关行业标准。
This valve can be equipped with actuators according to customer requirements, can be installed pneumatic or electric actuators reduction gear box, using the related material quickly install the module, bolt hole size comply with relevant industry standards.