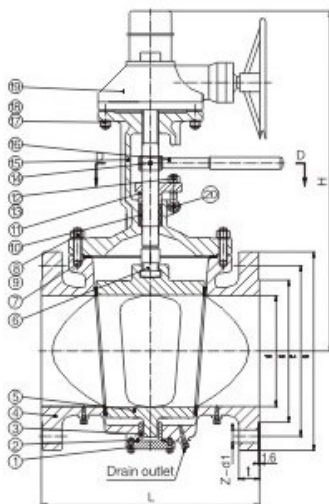


FLANGE-CONNECTION LIFTING PLUG VALVE ACC. TO ANSI
法兰连接美标提升式硬密封旋塞阀

PRODUCT STRUCTURAL FEATURES 产品结构特点:

Flange-connection lifting plug valve acc. to ANSI is applicable to the cutting and connection of pipelines medium that are used in various industries such as petroleum, chemical industry, pharmacy, chemical fertilizer, power industry etc under nominal pressure of CLASS150-1500LBS, and working temperature of -29-550°C.
 法兰连接美标提升式硬密封旋塞阀适用于公称压力CLASS150-1500LBS, 工作温度-29-550°C的石油、化工、制药、化肥、电力行业等各种工况的管路上, 切断或接通管路介质。

MAIN STRUCTURAL FEATURES 其主要结构特点:

- 1、The product has reasonable structure, reliable sealing, excellent performance and beautiful appearance.
 - 2、Opening and closing of the valve is carried out while the sealed surface is taken off, so it will not cause abrasion on the sealed surface.
 - 3、Its characteristic double-direction flow makes installation and use more convenient.
 - 4、The materials of the parts and sizes of flanges can be reasonably configured according to the actual operation condition of the requirements of the customers, so as to meet the various needs of engineering.
- 1、产品结构合理、密封可靠、性能优良、造型美观。
 2、阀门的启闭过程是在密封面脱离的状态下进行的, 不会造成密封面的磨损。
 3、双向流动, 安装使用更方便。
 4、零件材质及法兰尺寸可根据实际工况或用户要求合理选配, 满足各种工程需要。

PRINCIPLE OF OPENING AND CLOSING OF THE VALVE 阀门的启闭工作原理

Process of opening and closing of the valve: when opening the valve, first of all, turn the hand wheel to make the plug lifted and separated with the sealed surface, then turn the handle by 90 degree to connect the channel of plug to the channel of valve body, so that the valve is opened; when closing the valve, first of all, turn the handle by 90 degree to make the channel of plug vertical to the channel of valve body, and then turn the hand wheel to descend the plug, so that the valve is closed.

阀门的启闭过程: 开启阀门时, 先旋转手轮, 使塞子上升, 与密封面脱离, 再旋转手柄90°, 使塞子的通道和阀体的通道相通, 达到开启的目的。而关闭的过程是先旋转手柄90°, 使塞子的通道和阀体的通道垂直, 再旋转手轮, 使塞子下降, 连接密封。

TECHNICAL SPECIFICATION 技术规范:

结构形式 Structural formation	BC
驱动方式 Driving manner	BB-BG-QS&Y
	手柄、伞齿轮、手柄 Hand wheel、bevel gear、wrench
设计标准 Design standard	API 599、API 6D
结构长度 Face to face	ASME B16.10
连接法兰 Flange ends	ASME B16.5
试验和检验 Test & inspection	API598.API 6D

※注: 阀门的连接法兰尺寸可根据用户要求设计制造。

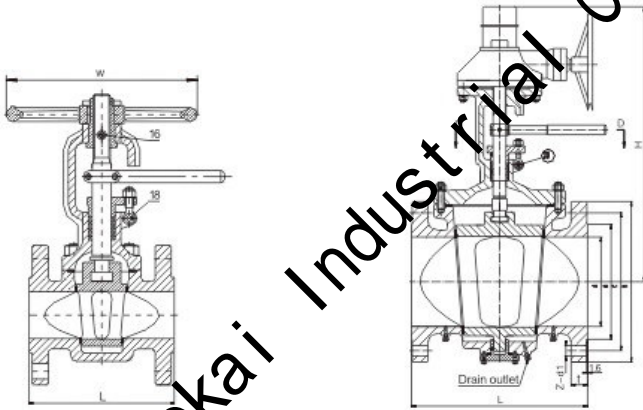
Note: the size of serial valve connecting flange can be designed according to customers' requirement.

PRODUCTS PERFORMANCE SPECIFICATION 产品性能规范:

公称压力(LB) Nominal pressure	壳体试验压力(MPa) Shell test	密封试验压力(MPa) Sealing test	适用温度(°C) Suitable temp.	适用介质 Suitable medium
150	3.0	2.2	≤ 300°C/350°C	水、蒸汽、油品等 Water oil & gas
300	7.5	5.5		
600	15.0	11.0		
900	22.5	16.5		

MAIN PARTS MATERIALS 主要零部件材质:

序号NO.	名称 Part name	材质 Material
1	螺栓Bolt	A193 B16
2	垫片Gasket	SS304+石墨Graphite
3	底盖Under plate	A217 C5
4	阀体Body	A217 C5
5	旋塞Plug	A217 C5+氮化Nitriding
6	阀杆Stem	A276 410
7	垫片Gasket	SS304+石墨Graphite
8	螺栓Bolt	A193 B16
9	螺母Nut	A194 7
10	填料Packing	柔性石墨 Flexible Graphite
11	压盖Gland	A217 C5
12	螺栓Bolt	A193 B16
13	螺母Nut	A194 7
14	销Key	SS304
15	阀盖Cover	A217 C5
16	手柄Handle	A570
17	螺栓Bolt	A193 B16
18	螺母Nut	A194 7
19	齿轮Gear	UCA
20	销Key	SS304



型号 Model		TSX543W/TSX43W-150LB														
口径 Size	mm	15	20	25	32	40	50	65	80	100	125	150	200	250	300	350
	in	1/2	3/4	1	1 1/4	1 1/2	2	2 1/2	3	4	5	6	8	10	12	14
L		117	127	140	165	178	190	203	229	254	267	292	330	356	381	
H		195	225	260	280	310	250	395	300	470	535	590	630	680	720	
W		280	280	300	300	300	300	820	300	340	400	450	450	500	500	
重量(Kg)Weight		9	10	11	17	19	23	29	32	48	82	98	130	178	250	380

型号 Model		TSX543W/TSX43W-300LB														
口径 Size	mm	15	20	25	32	40	50	65	80	100	125	150	200	250	300	350
	in	1/2	3/4	1	1 1/4	1 1/2	2	2 1/2	3	4	5	6	8	10	12	14
L		140	152	165	178	190	216	241	283	305	381	403	419	457	502	762
H		190	195	225	260	280	310	340	395	435	470	535	590	630	680	720
W		280	280	280	300	300	300	300	300	300	340	400	450	450	500	500
重量(Kg)Weight		10	12	14	19	21	28	34	39	75	95	135	200	255	415	650

型号 Model		TSX543W/TSX43W-600LB														
口径 Size	mm	15	20	25	32	40	50	65	80	100	125	150	200	250	300	350
	in	1/2	3/4	1	1 1/4	1 1/2	2	2 1/2	3	4	5	6	8	10	12	14
L		165	190	216	229	241	292	330	356	432	508	559	660	787	838	889
H		190	195	225	260	280	310	340	395	435	470	535	590	630	680	720
W		280	280	280	300	300	300	300	300	300	340	400	450	450	500	500
重量(Kg)Weight		13	14	19	23	25	32	40	55	105	139	300	440	730	1150	1570

型号 Model		TSX543W/TSX43W-900LB														
口径 Size	mm	15	20	25	32	40	50	65	80	100	125	150	200	250	300	350
	in	1/2	3/4	1	1 1/4	1 1/2	2	2 1/2	3	4	5	6	8	10	12	14
L		216	229	254	279	305	368	419	381	457	559	610	737	838	965	1029
H		190	195	225	260	280	310	340	395	435	470	535	590	630	680	720
W		280	280	280	300	300	300	300	300	300	340	400	450	450	500	500
重量(Kg)Weight		16	17	26	30	33	39	50	70	137	181	397	590	860	1470	1880