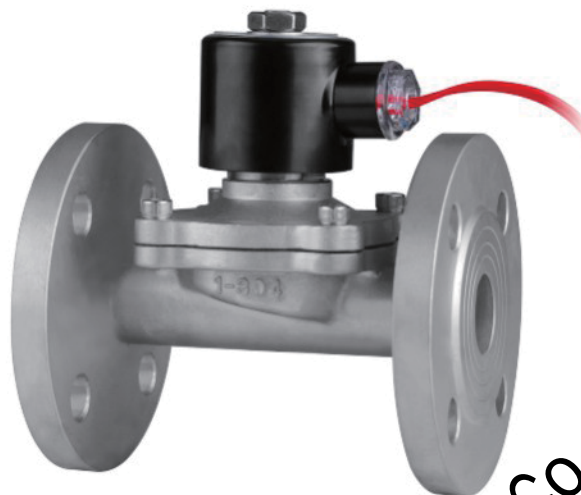
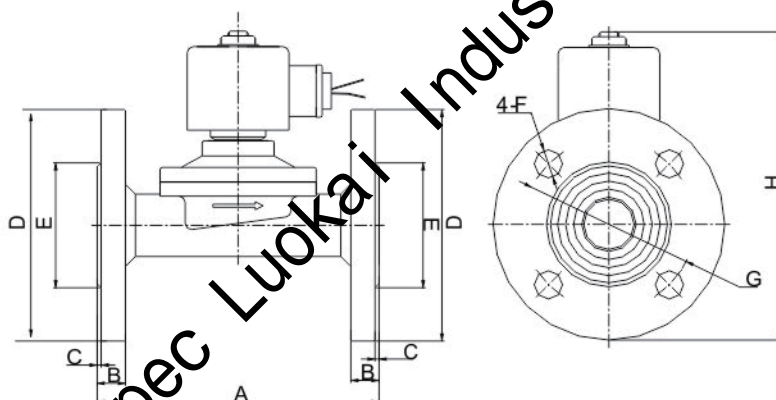


2W Series 2/2-Way Direct Acting Solenoid Valve • Normally Closed



Construction Dimensions Chart



Model	A	B	C	φD	φE	φF	φG	H	Weight(KG)
2W160-15FB	108	12	2	95	45	4-14	65	138	1.8
2W200-20FB	108	12	2	102	56	4-14	75	141	2.0
2W250-25FB	140	14	2	115	62	4-14	85	160	2.9
2W350-35FB	152	15	2	135	76	4-18	100	212	5.1
2W400-40FB	152	15	2	145	84	4-18	110	215	6.1
2W500-50FB	195	16	2	160	98	4-18	125	252	8.2