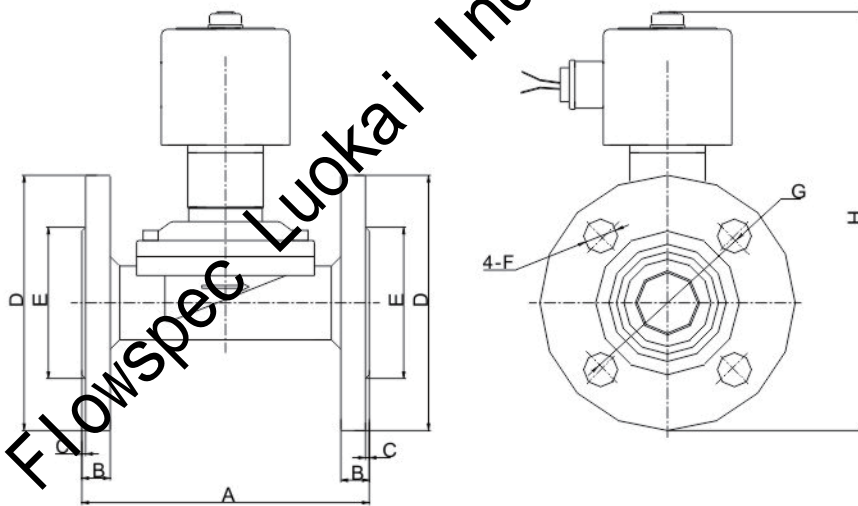


## 2W Series 2/2-Way Direct Acting Solenoid Valve • Normally Open



Construction Dimensions Chart



Model	A	B	C	φD	φE	φF	φG	H	Weight (KG)
2W160-15FBH	108	12	2	95	45	4-14	65	162	1.95
2W200-20FBH	108	12	2	102	56	4-14	75	165	2.15
2W250-25FBH	140	14	2	115	62	4-14	85	160	3.1
2W350-35FBH	152	15	2	135	76	4-18	100	230	5.4
2W400-40FBH	152	15	2	145	84	4-18	110	240	6.4
2W500-50FBH	195	16	2	160	98	4-18	125	270	8.6