

ZS 2/2-Way Large diameter Direct Acting Solenoid Valve · Normally Closed

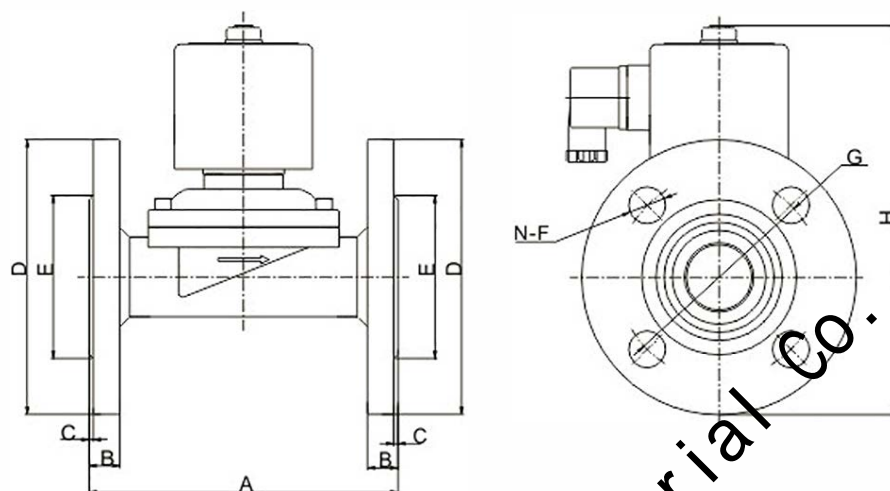


Valve Selection List(Flange)

Orifice mm	CV Factor	Operating pressure differential (Kg/cm ²)							Max. Fluids Temp.	Coil F Class Type	Power		Model Code 220VAC 50/60HZ	Weight (KG)
		Min.	Max.								VA	W		
			Air Gas		Water Hot water Liquids		Light oil							
			AC	DC	AC	DC	AC	DC						
15	4.8	0	10	6	10	6	7	4	80	D	20	20	ZS1DF02N4F15	1.8
15	4.8	0	10	6	10	6			120	D	20	20	ZS1DF02E4F15	1.8
15	4.8	0	10	6	10	6	7	4	120	D	20	20	ZS1DF02V4F15	1.8
20	7.6	0	10	6	10	6	7	4	80	D	20	20	ZS1DF02N4F20	2.0
20	7.6	0	10	6	10	6			120	D	20	20	ZS1DF02E4F20	2.0
20	7.6	0	10	6	10	6	7	4	120	D	20	20	ZS1DF02V4F20	2.0
25	12	0	10	6	10	6	7	4	80	D	20	20	ZS1DF02N4F25	2.9
25	12	0	10	6	10	6			120	D	20	20	ZS1DF02E4F25	2.9
25	12	0	10	6	10	6	7	4	120	D	20	20	ZS1DF02V4F25	2.9
32	24	0	10	6	10	6	7	4	80	A	57	45	ZS1AF02N4F32	5.1
32	24	0	10	6	10	6			120	A	57	45	ZS1AF02E4F32	5.1
32	24	0	10	6	10	6	7	4	120	A	57	45	ZS1AF02V4F32	5.1
40	29	0	10	6	10	6	7	4	80	A	57	45	ZS1AF02N4F40	6.1
40	29	0	10	6	10	6			120	A	57	45	ZS1AF02E4F40	6.1
40	29	0	10	6	10	6	7	4	120	A	57	45	ZS1AF02V4F40	6.1
50	48	0	10	6	10	6	7	4	80	A	57	45	ZS1AF02N4F50	8.2
50	48	0	10	6	10	6			120	A	57	45	ZS1AF02E4F50	8.2
50	48	0	10	6	10	6	7	4	120	A	57	45	ZS1AF02V4F50	8.2
65	75	0	6	5	6	5	3	2	80	A	57	64	ZS1AF02N4F65	15.2
65	75	0	6	5	6	5			120	A	57	64	ZS1AF02E4F65	15.2
65	75	0	6	5	6	5	3	2	120	A	57	64	ZS1AF02V4F65	15.2
80	90	0	6	5	6	5	3	2	80	A	57	64	ZS1AF02N4F80	18
80	90	0	6	5	6	5			120	A	57	64	ZS1AF02E4F80	18
80	90	0	6	5	6	5	3	2	120	A	57	64	ZS1AF02V4F80	18
100	160	0	6	5	6	5	3	2	80	A	57	64	ZS1AF02N4F100	23.5
100	160	0	6	5	6	5			120	A	57	64	ZS1AF02E4F100	23.5
100	160	0	6	5	6	5	3	2	120	A	57	64	ZS1AF02V4F100	23.5

ZS 2/2-Way Large diameter Direct Acting Solenoid Valve · Normally Closed

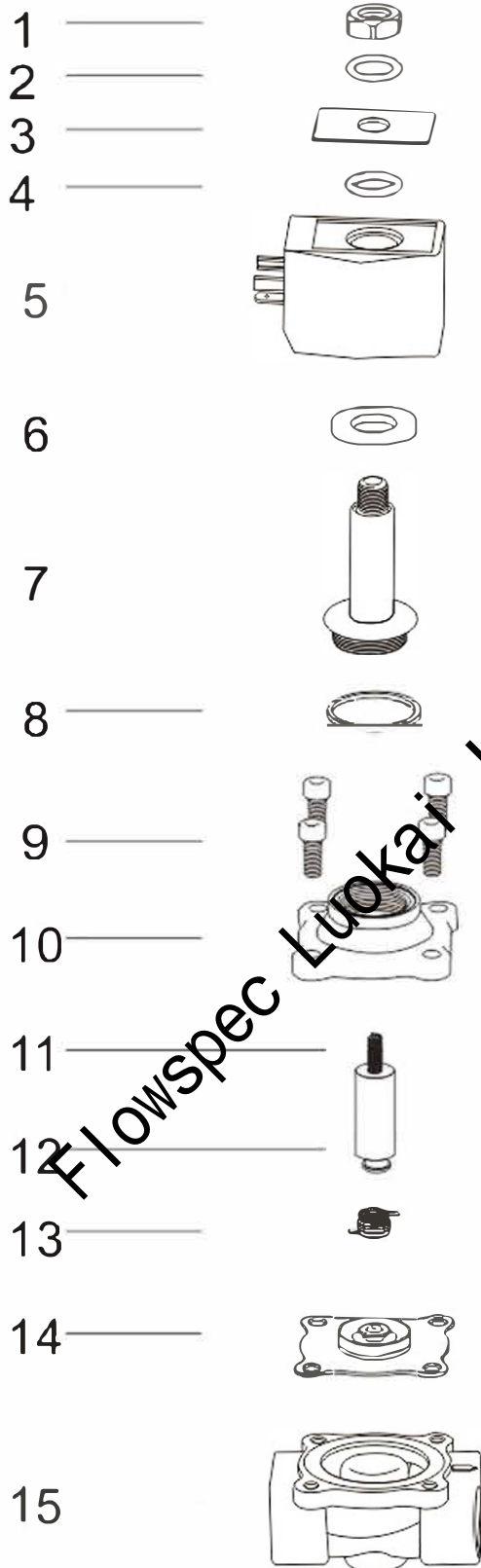
External Dimensions (Flange Type)



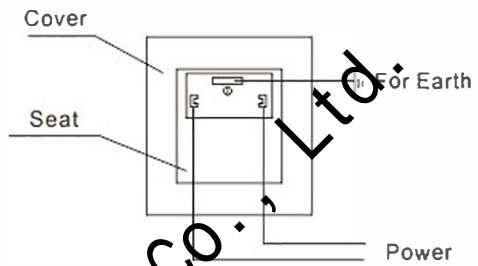
Model	A	B	C	ΦD	ΦE	N-ΦF	ΦG	H
ZS-15BF	106	12	2	95	45	4-14	65	138
ZS-20BF	106	12	2	102	56	4-14	75	141
ZS-25BF	140	14	2	115	62	4-14	85	160
ZS-32BF	152	15	2	135	76	4-18	100	215
ZS-40BF	152	15	2	145	84	4-18	110	215
ZS-50BF	178	16	2	160	98	4-18	125	220
ZS-65BF	200	19	3	185	118	4-18	145	308
ZS-80BF	270	19	3	202	134	4-18	160	320
ZS-100BF	342	21	3	222	162	8-18	180	345

ZS 2/2-Way Large diameter Direct Acting Solenoid Valve • Normally Closed

Components Chart



16



Solenoid Valve Wiring Chart

Code	Components
01	Locknut
02	Gasket
03	Label
04	O Ring
05	Coil
06	Plate
07	Plunger Tube Assembly
08	Plunger Tube Seal Ring
09	Bolts
10	Valve Cover
11	Plunger Spring
12	Plunger Assembly
13	Diaphragm Spring
14	Diaphragm Assembly
15	Valve Body
16	Plug