

ZS 2/2-Way Direct Acting Solenoid Valve · Normally Open

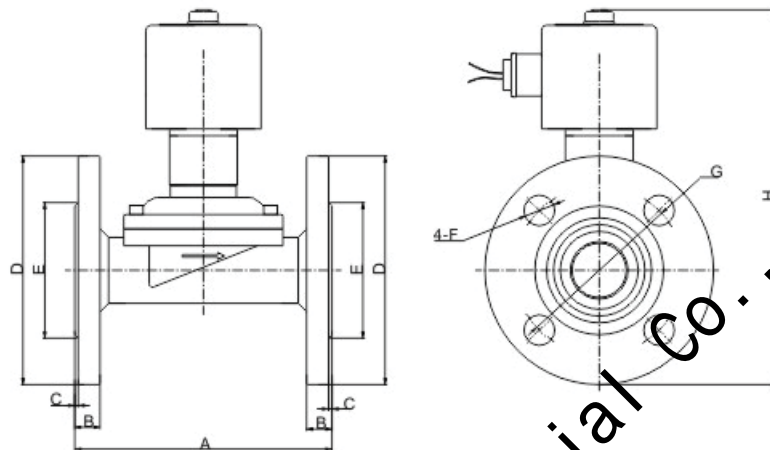


Valve Selection List (Flange)

Orifice mm	CV Factor	Operating pressure differential (kgf/cm ²)								Max. Temp.	Coil F Class Type	Power consumption		Model Code 220VAC 50/60HZ	Weight (KG)
		Min.	Max.						VA AC 220 V			W DC 24 V			
			Air Gas		Water Hot water Liquids		Light oil								
			AC	DC	AC	DC	AC	DC							
15	4.8	0	5	5	5	5	3	80	D	33	20	ZS2DF02N4F15	1.95		
15	4.8	0	5	5	5	5		120	D	33	20	ZS2DF02E4F15	1.95		
15	4.8	0	5	5	5	5	3	120	D	33	20	ZS2DF02V4F15	1.95		
20	7.6	0	5	5	5	5	3	80	D	33	20	ZS2DF02N4F20	2.15		
20	7.6	0	5	5	5	5		120	D	33	20	ZS2DF02E4F20	2.15		
20	7.6	0	5	5	5	5	3	120	D	33	20	ZS2DF02V4F20	2.15		
25	12	0	5	5	5	5	3	80	D	33	20	ZS2DF02N4F25	3.05		
25	12	0	5	5	5	5		120	D	33	20	ZS2DF02E4F25	3.05		
25	12	0	5	5	5	5	3	120	D	33	20	ZS2DF02V4F25	3.05		
32	24	0	5	5	5	5	3	80	D	70	55	ZS2DF02N4F32	5.4		
32	24	0	5	5	5	5		120	D	70	55	ZS2DF02E4F32	5.4		
32	24	0	5	5	5	5	3	120	D	70	55	ZS2DF02V4F32	5.4		
40	29	0	5	5	5	5	3	80	D	70	55	ZS2DF02N4F40	6.4		
40	29	0	5	5	5	5		120	D	70	55	ZS2DF02E4F40	6.4		
40	29	0	5	5	5	5	3	120	D	70	55	ZS2DF02V4F40	6.4		
50	48	0	5	5	5	5	3	80	D	70	55	ZS2DF02N4F50	8.6		
50	48	0	5	5	5	5		120	D	70	55	ZS2DF02E4F50	8.6		
50	48	0	5	5	5	5	3	120	D	70	55	ZS2DF02V4F50	8.6		

ZS 2/2-Way Direct Acting Solenoid Valve · Normally Open

External Dimensions (Flange Series)



Model	A	B	C	φD	φE	φF	φG	H
ZS-15BHF	106	12	2	95	45	4-14	65	162
ZS-20BHF	106	12	2	102	56	4-14	75	165
ZS-25BHF	140	15	2	115	62	4-14	85	180
ZS-32BHF	152	15	2	135	76	4-18	100	235
ZS-40BHF	152	15	2	145	84	4-18	110	240
ZS-50BHF	195	16	2	160	98	4-18	125	255