



Z673X Unidirectional seal Knife Gate Valve

Model: Z673X

Working Pressure: DN50-DN100 16bar
 DN125-DN200 10bar
 DN250-DN400 7bar
 DN450-DN550 5bar
 DN600-DN700 3bar
 DN800-DN900 2bar
 DN1000-DN1400 1bar

Type: Wafer, Lug, Flange

Design Standard: MSS SP-81

Flange Standard: DIN PN10, PN16, 150LB, JIS 10K, TABLE E/D

Face to Face: MSS SP-81

Testing Standard: API-598

Operation: handwheel, electric, pneumatic, hydraulic, sprocket, electro-hydraulic, gear

Main material: F55, F53, 2205, CF3M, CF8M, CF8, WCB, GGG40

Wedge material: F55, F53, 2205, SS310, SS316L, SS316, SS304

Sealing material: NBR, EPDM

Packing: high-water-based rubber packing graphite wheel

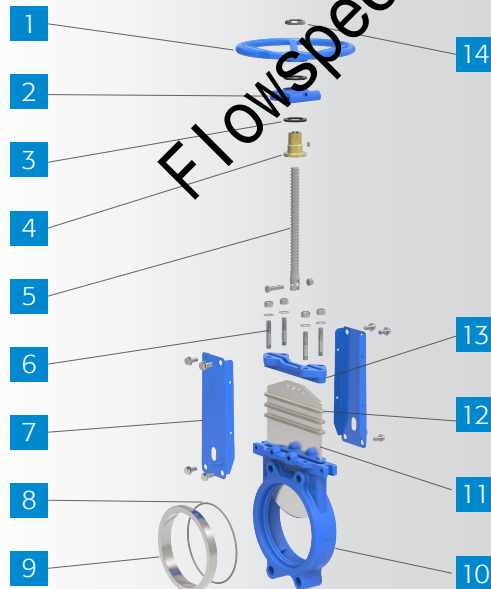
Applicable medium: coal in power plant, slag discharge, sewage treatment, food, paper making, medicine, petroleum and chemical industry, water, oil, steam, connecting or cutting grout, gold powder, ores, slag, coal, pulp, wood pulp, tailings, fibers, dust, chemicals, sewage treatment, sedimentation tanks, asphalt, bunker export, fruit juices, cereals, slaughter plant waste and other media. especially used for mining in electricity plant

Features:

- # Separate seat improve sealing performance
- # Extend seat life service
- # 2PC strong yoke design
- # Mixed with a variety of materials packing

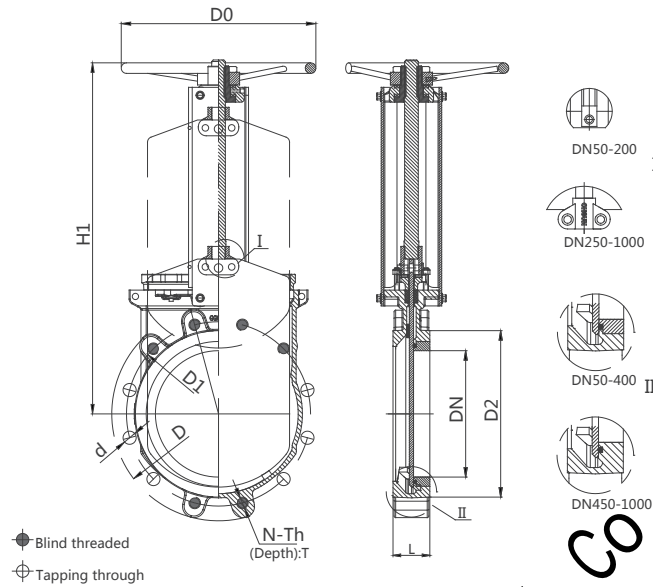
Product Description:

Z673X unidirectional knife gate valve is with renewable rubber seal knife gate structure, its sealing principle is mainly by closely connection between gate and rubber seals. Its main characters is that the rubber sealing ring is set in seat's groove and is locked by metal seat, which will prevent rubber seal off when opening and closing the valve. This valve is a cost-effective with high performance.



Code	Name	Material	QTY
1	Hand wheel	Malleable Steel	1
2	Yoke Cap	WCB	1
3	Bearing	Gcr15	2
4	Stem Nut	Brass	1
5	Stem	2Cr13/SS304/SS316	1
6	Bolt & Nut	SS201/SS304	N
7	Yoke	Q235	2
8	Seat	EPDM/NBR/FKM	1
9	Seat Gland	2Cr13/SS304/SS316	1
10	Body	F55,F53,CF3M,CF8M,CF8,WCB,GGG40	1
11	Disc	F55/F53/SS304/SS316/2205	1
12	Packing	PTFE+EPDM	3-5
13	Packing Gland	CF8M/CF8/WCB/GGG40	1
14	Stop Nut	Q235/SS304	1

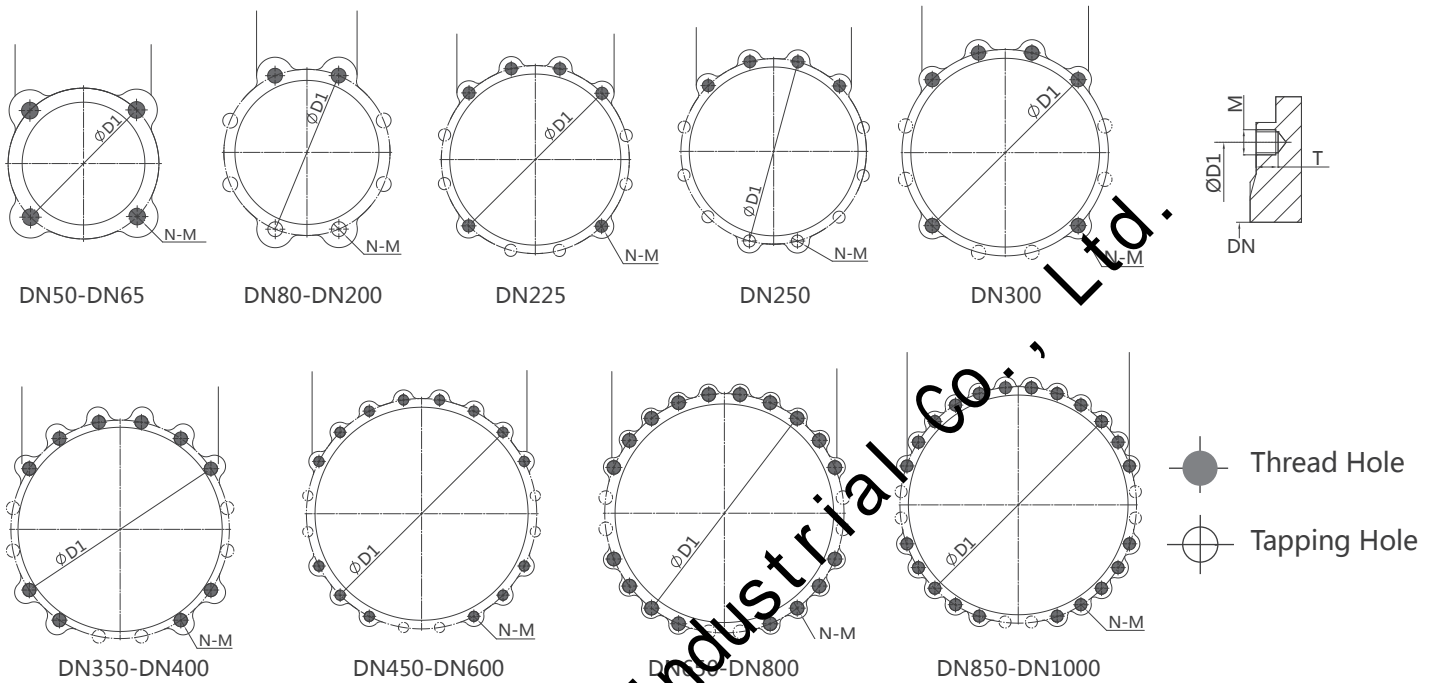
Dimension



unit:mm

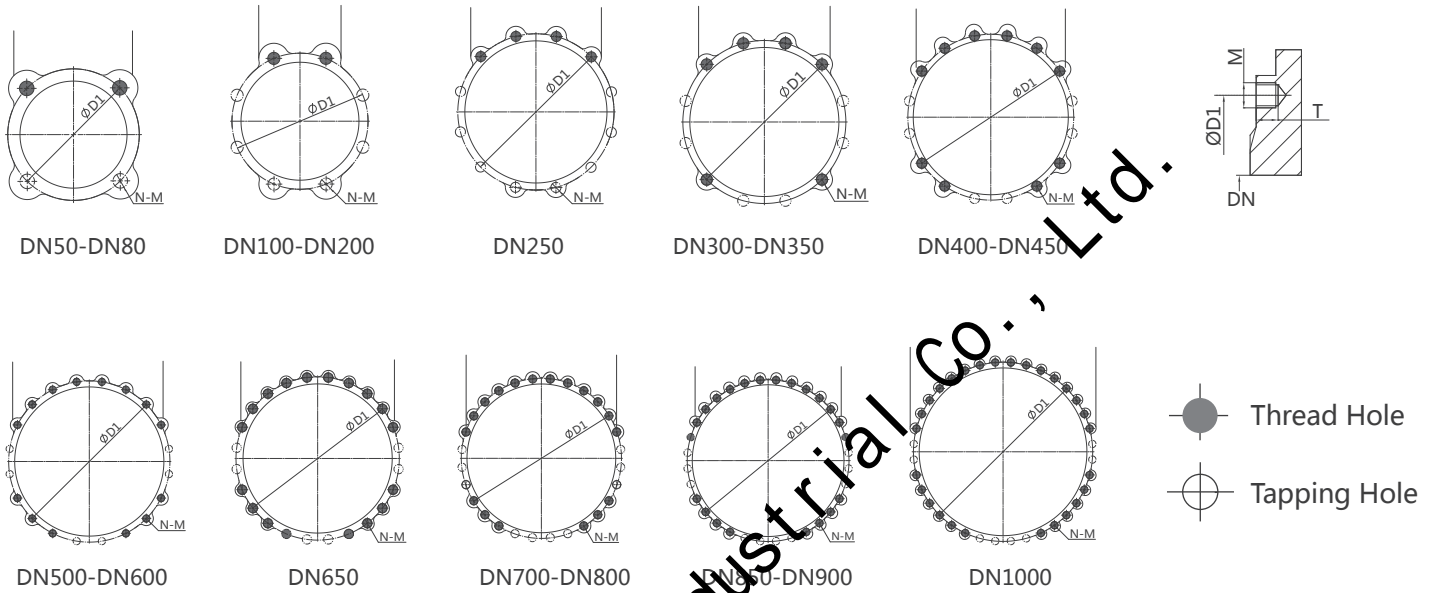
DIN2632 PN10									ANSI 150LB								
DN	L	D	D1	D2	D0	N-Th	d	H1	DN	L	D	D1	D2	D0	N-Th	d	H1
50	48	165	125	99	180	4-M16	Ø18	260	50	48	152	121	92	180	4-5/8"	Ø19	260
65	48	185	145	118	200	4-M16	Ø18	292	65	48	178	140	105	200	4-5/8"	Ø19	292
80	51	200	160	132	200	8-M16	Ø18	320	80	51	191	153	127	200	4-5/8"	Ø19	320
100	51	220	180	156	240	8-M16	Ø18	358	100	51	229	191	157	240	8-5/8"	Ø19	358
125	57	250	210	184	260	8-M16	Ø18	395	125	57	254	216	186	260	8-3/4"	Ø22	395
150	57	285	240	211	280	8-M16	Ø18	450	150	57	279	242	216	280	8-3/4"	Ø22	450
175	57	305	265	237	280	12-M20	Ø23	504	175	57	343	299	270	300	8-3/4"	Ø22	532
200	70	340	295	266	300	8-M20	Ø23	532	200	70	406	362	324	320	12-7/8"	Ø25	670
250	70	395	350	318	320	12-M20	Ø23	670	250	70	483	432	381	350	12-7/8"	Ø25	758
300	76	445	400	370	350	12-M20	Ø23	758	300	76	533	476	413	400	12-1"	Ø29	857
350	76	505	460	429	400	16-M20	Ø23	857	350	76	597	540	470	450	16-1"	Ø29	946
400	89	565	515	480	450	16-M24	Ø27	946	400	89	635	578	533	500	16-1 1/8"	Ø32	1023
450	89	615	565	530	500	20-M24	Ø27	1023	450	89	699	635	584	500	20-1 1/8"	Ø32	Gear
500	114	670	620	582	500	20-M24	Ø27	Gear	500	114	750	692	641	-	20-1 1/4"	Ø35	Gear
550	114	725	680	638	-	20-M27	Ø30	Gear	550	114	813	750	691	-	20-1 1/4"	Ø35	Gear
600	114	780	725	682	-	20-M27	Ø30	Gear	600	114	870	806	749	-	24-1 1/4"	Ø35	Gear
700	127	895	840	794	-	24-M27	Ø30	Gear	700	127	927	864	800	-	28-1 1/4"	Ø35	Gear
800	127	1015	950	901	-	24-M30	Ø33	Gear	800	127	985	914	857	-	28-1 1/4"	Ø35	Gear
900	127	1115	1050	1001	-	28-M30	Ø33	Gear	900	127	1060	978	914	-	28-1 1/2"	Ø41	Gear
1000	149	1230	1160	1112	-	28-M33	Ø36	Gear	1000	127	1110	1029	965	-	32-1 1/2"	Ø41	Gear
1100	149	1340	1260	1220	-	28-M33	Ø36	Gear	1100	127	1170	1086	1022	-	32-1 1/2"	Ø41	Gear
1200	156	1455	1380	1328	-	32-M36	Ø39	Gear	1200	149	1240	1149	1073	-	32-1 1/2"	Ø41	Gear
1400	1675	1675	1590	1530	-	40-M39	Ø42	Gear	1400	149	1290	1200	1124	-	36-1 1/2"	Ø41	Gear
									1400	149	1345	1257	1194	-	36-1 1/2"	Ø41	Gear
									1400	149	1405	1314	1245	-	40-1 1/2"	Ø41	Gear
									1400	149	1455	1365	1295	-	40-1 1/2"	Ø41	Gear
									1400	156	1510	1422	1359	-	44-1 1/2"	Ø41	Gear
									1400	156	1570	1480	1410	-	44-1 3/4"	Ø51	Gear
									1400	156	1625	1537	1461	-	44-1 3/4"	Ø51	Gear
									1400	171	1685	1594	1511	-	44-1 3/4"	Ø51	Gear
									1400	171	1745	1651	1575	-	48-1 3/4"	Ø51	Gear

PN10 Threaded hole and Tapping hole



DN	D1	N	PN10		Thread Hole	Tapping Hole
			M	T		
50	125	4	M16	13	2	2
65	145	4	M16	13	2	2
80	160	8	M16	13	2	6
100	180	8	M16	13	2	6
125	210	8	M16	16	2	6
150	240	8	M16	16	2	6
200	295	8	M20	20	2	6
225	310	12	M20	20	6	6
250	350	12	M20	20	4	8
300	400	12	M20	20	6	6
350	460	16	M20	20	10	6
400	515	16	M24	24	10	6
450	565	20	M24	24	14	6
500	620	20	M24	24	14	6
550	680	20	M27	24	14	6
600	725	20	M27	27	14	6
700	840	24	M27	27	18	6
800	950	24	M30	30	18	6
900	1050	28	M30	30	22	6
1000	1160	28	M33	33	22	6

150LB Threaded hole and Tapping hole



DN	D1	N	ANSI 150LB		T	Thread Hole	Tapping Hole
			M				
2"	121		M5/8-11		12	2	2
2-1/2"	140	4	M5/8-11		12	2	2
3"	153	4	M5/8-11		12	2	2
4"	191	8	M5/8-11		12	2	6
5"	216	8	M3/4-10		12	2	6
6"	242	8	M3/4-10		14	2	6
8"	289	8	M3/4-10		16	2	6
10"	362	8	M7/8-9		16	2	6
12"	432	12	M7/8-9		16	6	6
14"	476	12	M1-8		18	6	6
16"	540	16	M1-8		20	10	6
18"	578	16	M1 1/8-7		20	10	6
20"	635	20	M1 1/8-7		24	14	6
22"	692	20	M1 1/4-7		24	14	6
24"	750	20	M1 1/4-7		27	14	6
26"	806	24	M1 1/4-7		27	18	6
28"	864	28	M1 1/4-7		27	22	6
30"	914	28	M1 1/4-7		27	22	6
32"	978	28	M1 1/2-6		30	22	6
34"	1029	32	M1 1/2-6		30	20	12
36"	1086	32	M1 1/2-6		30	20	12
40"	1200	36	M1 1/2-6		35	28	8