

SMZ Series 2/2-way High Pressure Solenoid Valve · Normally Closed

1. 2/2-way Super High Pressure Solenoid Valve, closed when de-energized, open when energized.
2. The product is special design, power will be normal type 1/4, low temperature, small in size, large flow rate, widely use.
3. Body material: Stainless Steel
4. Ambient temp.: 0°C~65°C Fluids temp.: 0°C~110°C
5. Flow as the arrow, mounts in any position; Best position is solenoid vertical and upright direction.
6. Voltage: AC 220V/230V/110V DC 24V
Voltage Tolerance: +10% to -10% applicable voltage
7. seal material is PTFE (PEEK)



Normally Closed

De-energized

Energized

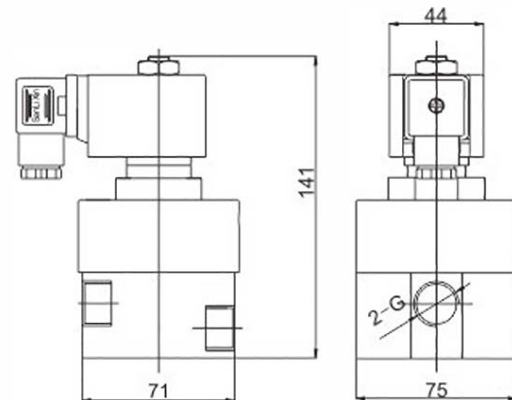
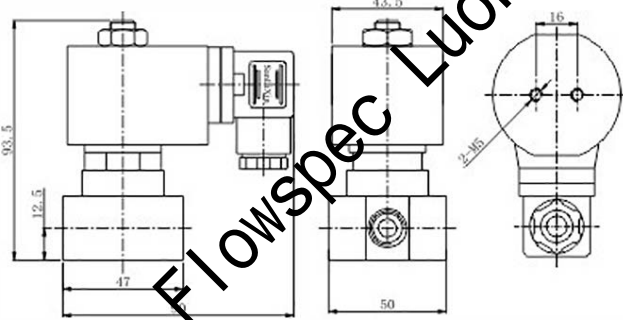
Closed

Open



φ 1.0、1.2、1.5 (1/8"、1/4")

φ 10 (1/4"、3/8"、1/2")



SMZ Series Coil parameters Tables

Coils Model Code	Voltage	Power		Electricity	
		Inrush	Holding	Inrush	Holding
SM-4101	AC220V	130VA	6VA	590mA	28mA
SM-4102	AC110V	95VA	8.0VA	900mA	75mA
SM-4106	DC24V	50W	9W	2185mA	385mA
SM-4104	AC24V	19VA	7.0VA	930mA	360mA

SMZ Series 2/2-way High Pressure Solenoid Valve · Normally Closed

Valve Selection List

Pipe Connection	Orifice mm	CV Factor	Min.	Operating pressure differential (kgf/cm ²)						Coil Type	Coil Class	Max. fluids Temp. °C	Model Code Follows Voltage is 220VAC seal material is PTFE	Weight Kg
				Max.										
				Air Gas		Water Hot water Liquids		Light oil ≤20CST						
AC	DC	AC	DC	AC	DC									
1/8"	1.0	0.04	0	360	260	360	260	360	260	M	F	110	SMZ1MF02T3A01	0.8
	1.2	0.05	0	300	240	300	240	300	240	M	F	110	SMZ1MF02T3AC1	
	1.5	0.08	0	250	190	250	190	250	190	M	F	110	SMZ1MF02T3AC2	
1/4"	1.0	0.04	0	360	260	360	260	360	260	M	F	110	SMZ1MF02T3B01	0.8
	1.2	0.05	0	300	240	300	240	300	240	M	F	110	SMZ1MF02T3BC1	
	1.5	0.08	0	250	190	250	190	250	190	M	F	110	SMZ1MF02T3BC2	
	10	1.8	1	360	300	360	300	360	300	M	F	110	SMZ1MF02T3B10	
3/8"	10	2.1	1	360	300	360	300	360	300	M	F	110	SMZ1MF02T3C10	3.0
1/2"	10	2.1	1	360	300	360	300	360	300	M	F	110	SMZ1MF02T3D10	

Note: Working pressure above 150kgf/cm², seal material need choose PEEK

Solenoid Valves Model Numbering System for Order

1	2	3	4	5	6	7	8	9	10
Valve Series	Mode of Operation	Coil Type	Coil Class	Voltage	Seal Material	Body Material	Pipe Size	Orifice (mm)	Options
SMZ	1	M	F	02	N	3	B	05	<input type="checkbox"/>
SMZ	1: Normally Closed	M=SM Series	F=FF Class	02= AC220V AC230V 01= AC110V AC120V 13=DC24V 05=AC24V	T=PTFE K=PEEK	3= SS316	A=1/8" B=1/4" C=3/8" B=1/2"	01=1.0 C1=1.2 C2=1.5 10=10.0	N=NPT