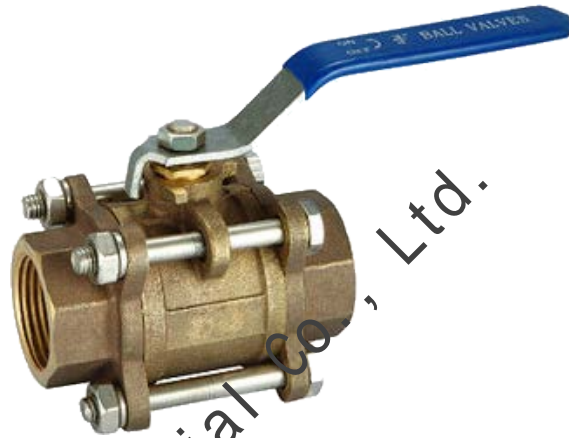




BRONZE 3PC BALL VALVE



Technical specifications:

1000PSI / PN16~PN63

Size: 1/4"~4"

Materials: bronze B62 C83600, B148 C95800

Full port, fully opening or closing

Blow-out proof stem, reliable sealing

Three pieces structure, easy operation and maintenance

PED97/23/EC (CE0035) approved

Investment casting approved to AD2000-WO certificate

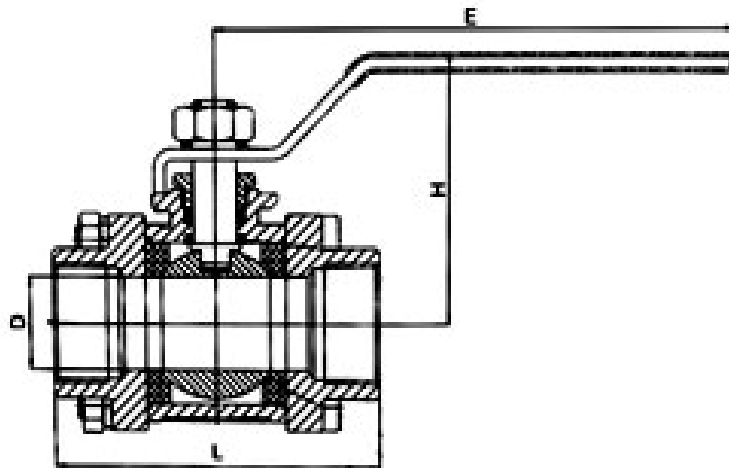
Threaded: G, NPT, PT, Rp, Rc (ASME B1.20.1, BS21/2799, DIN2999/259, ISO228-1, JIS B 0203, ISO7/1)

Inspection & testing: API598, EN12266, DIN3230/3

Design: ASME B16.34

Applicable medium: water, seawater, oil, gas, low-corrosive liquids

Applicable temperature: -29°C~120°C (higher temperature is available upon request)





Main Connection Dimensions

DN	SIZE	D	L	H	G
DN15	1/2"	15	72	55	102
DN20	3/4"	20	82	60	120
DN25	1"	25	90	70	140
DN32	1 1/4"	32	112	85	161
DN40	1 1/2"	40	120	90	180
DN50	2"	50	145	110	180
DN65	2 1/2"	65	180	115	215
DN80	3"	80	205	145	240
DN100	4"	100	270	155	300

NOTES:

As we are constant endeavoring to improve the performance of our equipment.

The company reserves the right to make alteration from time to time and equipment differ from that detailed in this brochure.

Flowspec Luokai Industrial Co., Ltd.