



JIS BRONZE WAFER BUTTERFLY VALVE



FEATURES & SPECIFICATIONS

Class: 5K, 10K, 16K

Size: 50A ~ 300A

Materials: bronze

ASTM B62 UNS C83600

ASTM B148 UNS C95400, C95500, C95800

Wafer type design

Triple offset structure

Metal seated (soft seated is available)

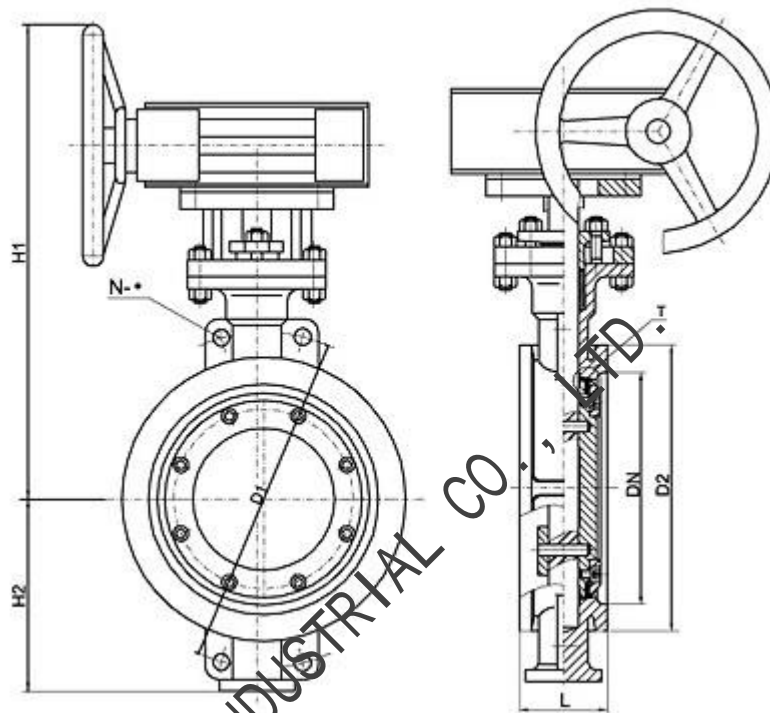
ISO5211 top flange

Available with gear operator

Face to face: manufacturer's

Applicable medium: sea water, oil, gas

Applicable temperature: water ($\leq 120^{\circ}\text{C}$), oil, gas ($\leq 220^{\circ}\text{C}$)


MAIN CONNECTION DIMENSIONS (MM)

DN	SIZE	L	H1	H
		5.10.16(K)	5.10.16(K)	5.10.16(K)
DN50	2"	43	310	105
DN65	2 1/2"	46	320	115
DN80	3"	64	335	125
DN100	4"	64	365	150
DN125	5"	70	455	160
DN150	6"	76	480	185
DN200	8"	89	530	245
DN250	10"	114	535	275
DN300	12"	114	665	315

NOTES:

As we are constant endeavoring to improve the performance of our equipment.

The company reserves the right to make alteration from time to time and equipment differ from that detailed in this brochure.