



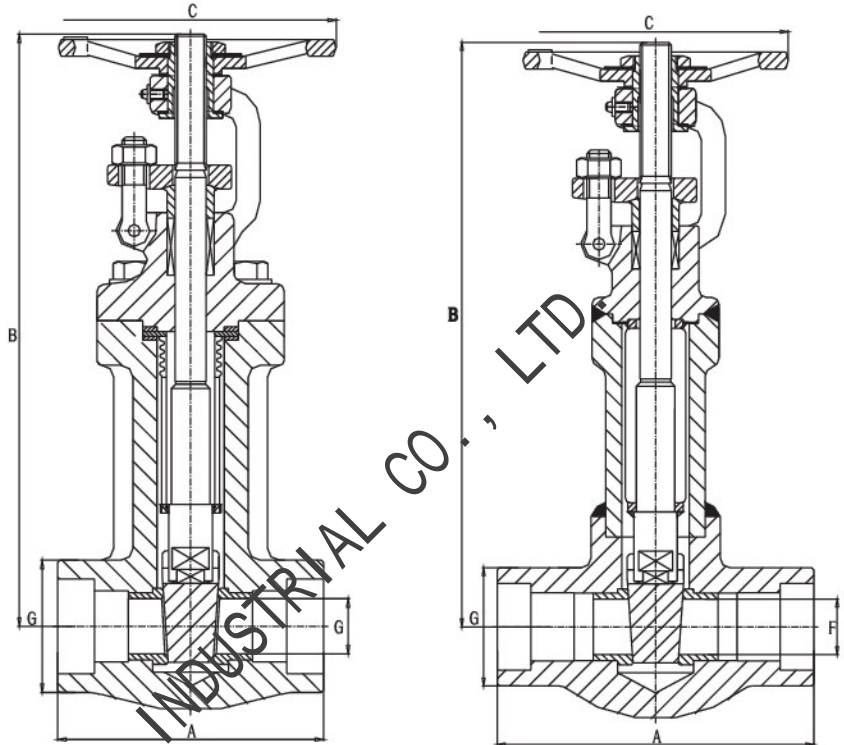
# LUOKAI BELLOWS SEALED VALVES

WE MAKE FLOW BETTER

www.lokvalve.com

## CLASS 800

GATE and GLOBE Type - BOLTED/WELDED BONNET - reduced bore



Applicable standards specifications:  
BS 5352 ANSI B16.34

Outside Screw and YoKe(OS&Y)  
Self-aligning packing gland in two parts  
Spiral wound gasket retained type  
Integral Backseat  
grease nipple for stem



### GATE VALVE

#### CLASS 800LB

REDUCED BORE

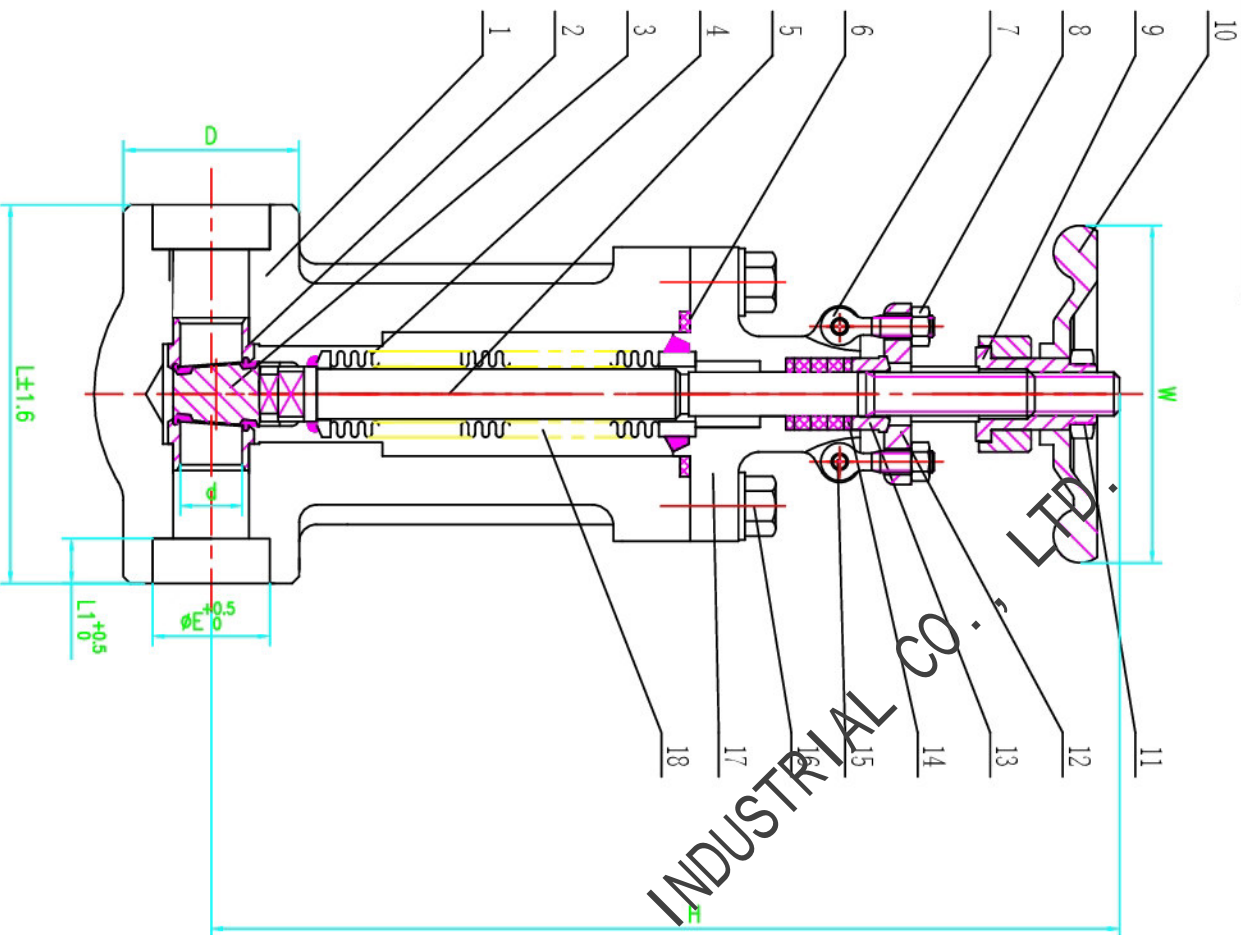
SIZE	1/2"	3/4"	1"	1.1/4"	1.1/2"	2"
A	79	92	111	120	120	140
B(OPEN)	263	258	308	350	406	472
C	100	100	120	160	160	180
F	13	13	18	24	29	36.8
G	34	40	49	58	64	78
WEIGHT(kg)	2.9	3.2	5.9	8.7	10.2	16.0

#### CLASS 800LB

REDUCED BORE

SIZE	1/2"	3/4"	1"	1.1/4"	1.1/2"	2"
A	79	92	111	120	120	140
B(OPEN)	263	277	332	370	433	514
C	100	100	120	160	160	180
F	13	13	18	24	29	36.8
G	34	40	49	58	64	78
WEIGHT(kg)	2.9	3.3	5.2	7.2	8.9	13.5

WZ61Y-800LB-00



JPS	Connection Dimensions(mm)						
	L	L1	E	D	d	H(Open)	W
1/2	79	10	22	34	13	263	100
3/4	92	13	27	40	13	263	100
1	111	14	34	49	18	308	120
1-1/2	120	14	48.8	64	29	406	160
2	140	16	61.2	78	36.8	472	180

**Technical Specifications**

1. Design and Manufacturing: API 602
2. Socket Welded Ends: ASME B16.11
3. Face to Face: Manufacturers STD
4. Inspection & Testing: API 598
5. Bellows Sealed, Bolted Bonnet, Reduced Bore
6. Design Temperature: -29 - +425 °C

17	Bonnet	ASTM A105N
16	Bonnet Bolt	ASTM A193 B7
15	Pin	Stainless Steel
14	Stem Packing	Braided Graphite
13	Gland	ASTM A182 F6a
12	Gland Flange	ASTM A105 N
11	Handwheel Nut	Carbon Steel
10	Handwheel	ASTM A197
9	Yoke Nut	ASTM A1035
8	Gland Nut	ASTM A194 2H
7	Gland Eyebolt	ASTM A193 B7
6	Gasket	ASTM A210 316 + Graphite
5	Stem	ASTM A182 F6a
4	Bellows	ASTM A240 321
3	Bridge	ASTM A179 410 + 13KCR
2	Seat Ring	ASTM A182 F6a + STL6
1	Body	ASTM A105 N
No.	Parts Name	Materials

FORGED STEEL BELLWS GATE VALVE

ASSEMBLY DRAWING

FLOWSPEC-SHANGHAI LUOKAI INDUSTRIAL CO., LTD.