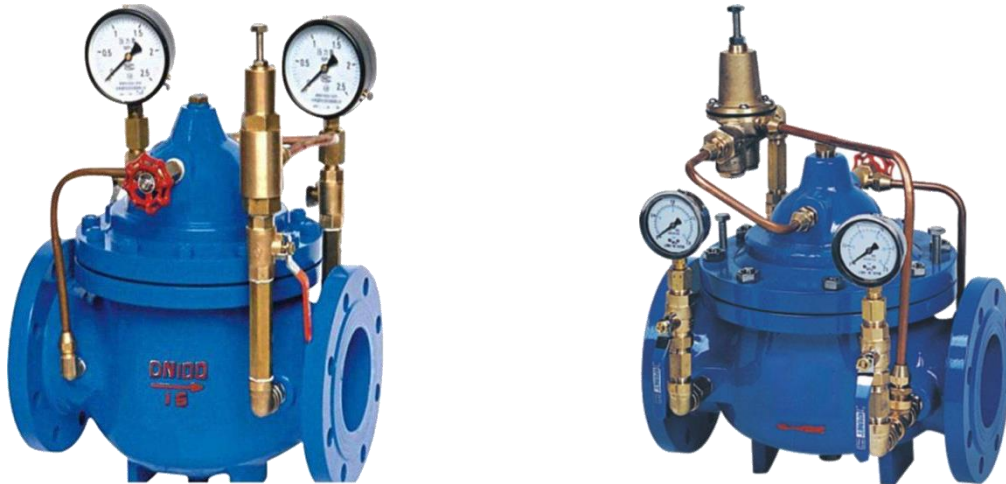




## 900X EMERGENCY SHUT-OFF VALVE



### GENERAL

900X emergency shut off valve is applicable to water supply system which firefighting and domestic water are in parallel to distribute the water supply direction. In case of a fire, the firefighting will need large water suddenly, 900X emergency shut off valve will shut off domestic water to make sure there is enough water for firefighting. When firefighting doesn't need water, the pressure will reduce, and the valve will open automatically to reinstate domestic water supply.

900X emergency shut off valve makes it no need to install separate firefighting special pipe, which saves greatly the construction cost and water consumption. It is high sensitive performance, safe and reliable, convenient adjust and long service life. It is applicable to be mounted on the pipeline sizes  $\leq$  DN600.

### FEATURES

Nominal pressure: ANSI 125/150LB, PN1.0/PN1.6MPa/PN2.5MPa

Size: 3/4" ~ 24" (20 ~ 600mm)

Materials: cast iron, ductile iron, cast steel, stainless steel, brass, bronze

Quality assurance: ISO 90001

Design: Q/FSF-2014

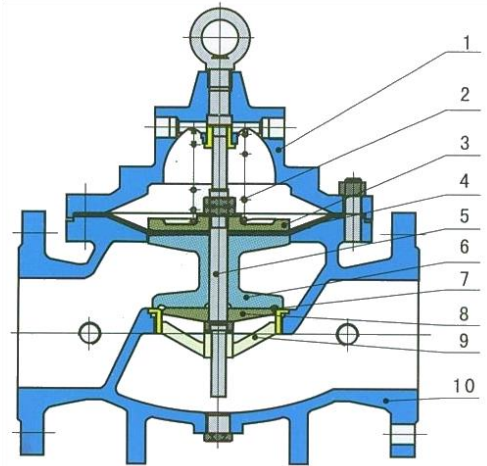
Face to face: Q/FSL-2014

Flanged ends: GB/T 17241.6, GB/T 9113, ASME B16.1 / B16.5, DIN2532-2534, DIN2542-2544

Inspection and Test: GB/T 13927, API 598

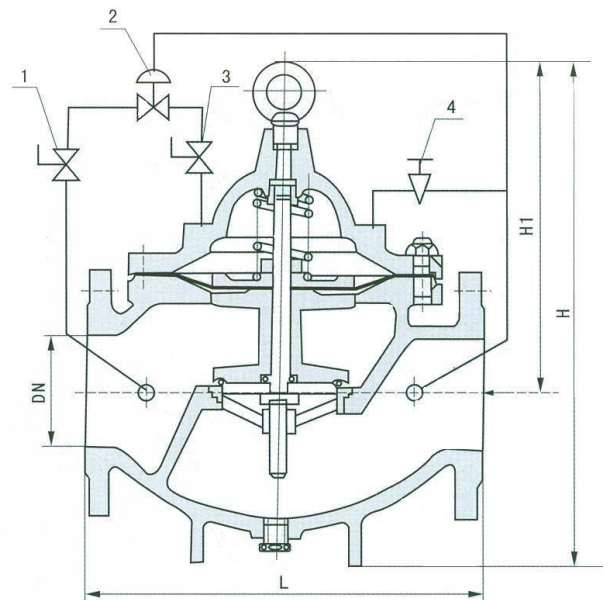
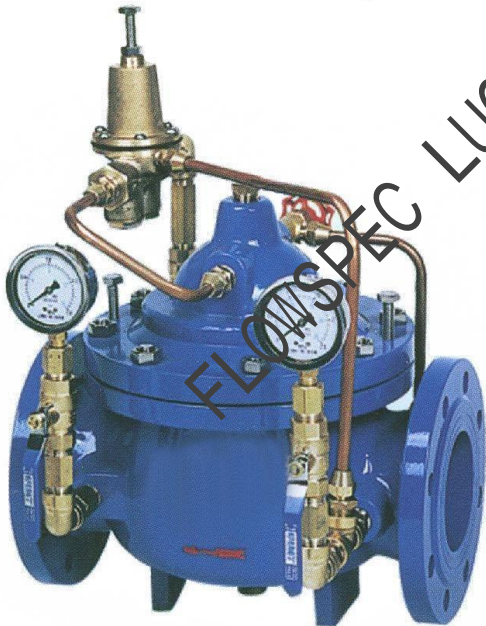
Applicable medium: water, sewage, sea water, air, corrosive liquids

Applicable temperature: 0°C~+80°C (higher temperature is available upon request)



### MAIN PARTS AND MATERIALS

Item	Part	Material
1	Bonnet	Cast Iron., Ductile Iron, Carbon Steel, Stainless Steel
2	Spring	Spring Steel, Stainless Steel
3	Diaphragm Pressure Pad	Cast Iron., Ductile Iron, Carbon Steel, Stainless Steel
4	Diaphragm	NBR+Nylon, EPDM+Nylon
5	Stem	A182-F6a, A276 420
6	Disc	Cast Iron., Ductile Iron, Carbon Steel, Stainless Steel, Brass
7	O-ring	NBR, EPDM
8	O-ring Pressure Pad	Cast Iron., Ductile Iron, Carbon Steel, Stainless Steel
9	Seat	Copper Alloy, Stainless Steel
10	Body	Cast Iron., Ductile Iron, Carbon Steel, Stainless Steel



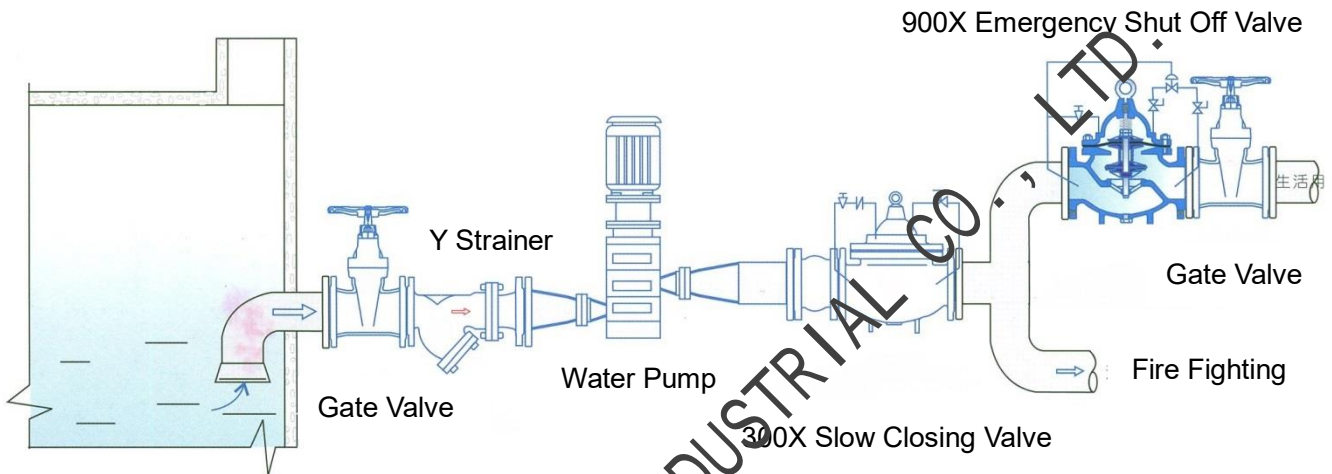
1. Ball Valve 2. Pilot Valve 3. Ball Valve 4. Needle Valve



**MAIN CONNECTION DIMENSIONS**

DN	20	25	32	40	50	65	80	100	125	150	200	250	300	350	400	450	500	600		
L	150	160	180	200	203	216	241	292	330	356	495	622	698	787	914	978				
				190	200	215	241	270	200	330	400	480	550	622	685	750	811	935		
					220	230	300	340	350	400	450	550	640	700	800	840	900	1100		
H1	179	179	179	210	210	215	245	305	365	415	510	560	658	696	735	735	778	873		
H	342	342	342	395	395	405	430	510	560	585	675	730	760	840	910	910	1096	1096		

**TYPICAL INSTALLATION DIAGRAM**



**NOTES:**

As we are constant endeavoring to improve the performance of our equipment.  
The company reserves the right to make alteration from time to time and equipment differ from that detailed in this brochure.