



700X PUMP CONTROL VALVE



GENERAL

700X pump control valve is one type of non-return valve which is applicable to be mounted on the pump outlet of high building and other water supply systems to prevent of medium backflow. When the water pump is about to stop water supply, the valve will close about 90% in advance to prevent of water hammer and water attack caused by pump sudden stop. When the pump stops fully, the valve will close fully then to prevent of water backflow, so that it protects the pump effectively to be safe from reversal caused by water backflow attack.

700X pump control valve is must protector mounted on the pump outlet. It is streamline design, achieving its open and close through solenoid valve pilot control. It has safe and reliable performance to prevent of water hammer and attack. It has long service life and convenient installation and repair. It is applicable to be mounted on the pipeline sizes \leq DN600.

FEATURES

Nominal pressure: ANSI 125/150LB, PN1.0/PN1.6MPa/PN2.5MPa

Size: 3/4" ~ 24" (20 ~ 600mm)

Materials: cast iron, ductile iron, cast steel, stainless steel, brass, bronze

Quality assurance: ISO 90001

Design: Q/FSF-2014

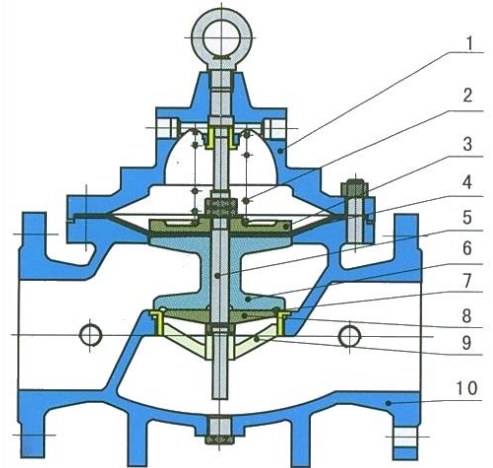
Face to face: Q/FSL-2014

Flanged ends: GB/T 17241.6, GB/T 9113, ASME B16.1 / B16.5, DIN2532-2534, DIN2542-2544

Inspection and Test: GB/T 13927, API 598

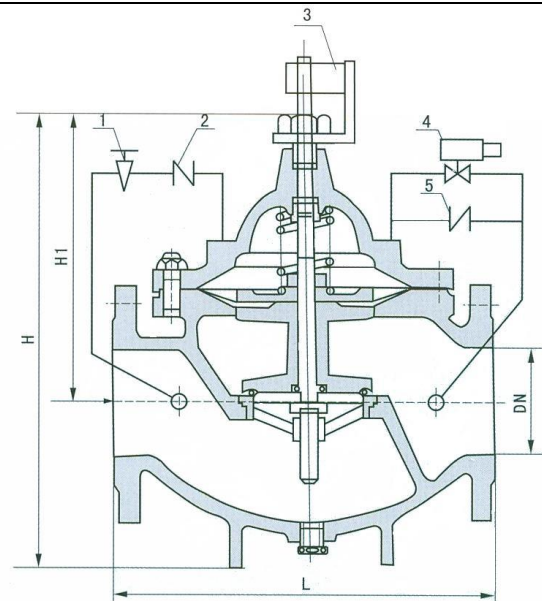
Applicable medium: water, sewage, sea water, air, corrosive liquids

Applicable temperature: 0°C~+80°C (higher temperature is available upon request)



MAIN PARTS AND MATERIALS

Item	Part	Material
1	Bonnet	Cast Iron., Ductile Iron, Carbon Steel, Stainless Steel
2	Spring	Spring Steel, Stainless Steel
3	Diaphragm Pressure Pad	Cast Iron., Ductile Iron, Carbon Steel, Stainless Steel
4	Diaphragm	NBR+Nylon, EPDM+Nylon
5	Stem	A182-F6a, A276 420
6	Disc	Cast Iron., Ductile Iron, Carbon Steel, Stainless Steel, Brass
7	O-ring	NBR, EPDM
8	O-ring Pressure Pad	Cast Iron., Ductile Iron, Carbon Steel, Stainless Steel
9	Seat	Copper Alloy, Stainless Steel
10	Body	Cast Iron., Ductile Iron, Carbon Steel, Stainless Steel



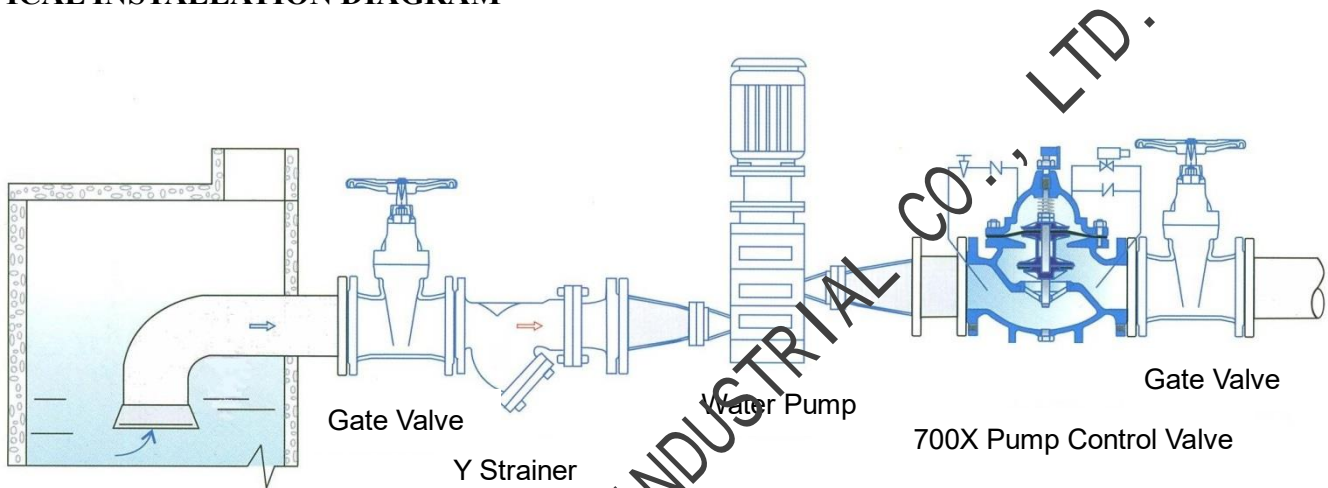
1. Needle Valve 2. Check Valve 3. Travel Switch 4. Solenoid Valve 5. Check Valve



MAIN CONNECTION DIMENSIONS

DN	20	25	32	40	50	65	80	100	125	150	200	250	300	350	400	450	500	600		
L	150	160	180	200	203	216	241	292	330	356	495	622	698	787	914	978				
				190	200	215	241	270	200	330	400	480	550	622	685	750	811	935		
					220	230	300	340	350	400	450	550	640	700	800	840	900	1100		
					230	290	310	350	350	480	600	730	850	850	1100	1100	1250	1450		
H1	179	179	179	210	210	215	245	305	365	415	510	560	658	696	735	735	778	873		
H	342	342	342	395	395	405	430	510	560	585	675	730	760	840	910	910	1096	1096		

TYPICAL INSTALLATION DIAGRAM



NOTES:

As we are constant endeavoring to improve the performance of our equipment.
The company reserves the right to make alteration from time to time and equipment differ from that detailed in this brochure.