

3PC BALL VALVE 1000 WOG SANITARY WELDED



FEATURES

1000PSI / PN16~PN63

Size: 1/2"~4"

Materials: WCB, S.S.304(CF8), S.S.316(CF8M)

Full port, fully opening or closing

Blow-out proof stem, reliable sealing

Three pieces structure, easy operation and maintenance

PED97/23/EC (CE0035) approved

Investment casting approved to AD2000-WO certificate

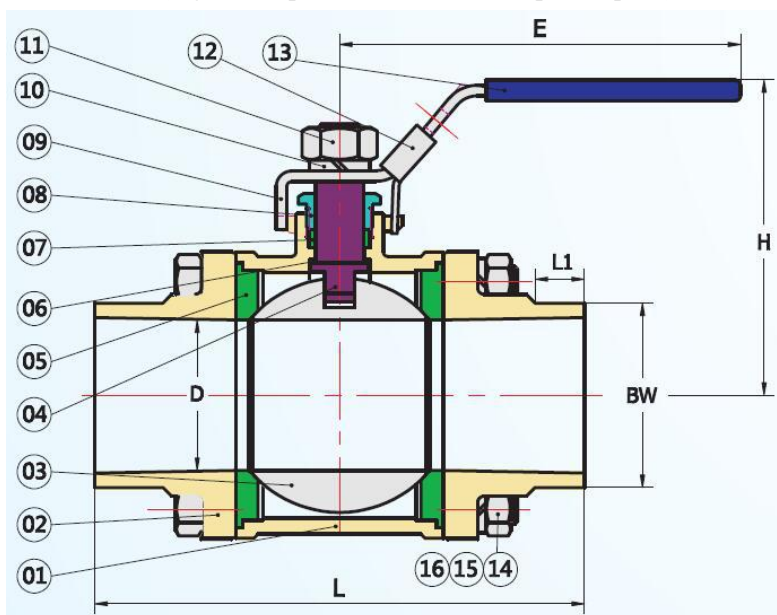
Butt welded: ASME B16.25, DIN3239/PT1

Inspection & testing: API598, EN12266, DIN3230/3

Design: ASME B16.34

Applicable medium: water, oil, gas, corrosive liquids

Applicable temperature: -29°C~120°C (higher temperature is available upon request)



PARTS AND MATERIALS

ITEM	PART	MATERIAL
1	Body	CF8/CF8M,SS304,SS316
2	Cap	CF8/CF8M,SS304,SS316
3	Ball	CF8/CF8M,SS304,SS316
4	Stem	SUS304/SUS316
5	Seat	RPTFE
6	Thrust washer	PTFE
7	Stem packing	PTFE
8	Gland nut	SUS304
9	Handle	SUS304
10	Bolt	SUS304
11	Stem nut	SUS304
12	Locking device	SUS304
13	Handle cover	Plastic
14	Nut	SUS304
15	Spring washer	SUS304
16	Nut	SUS304

MAIN CONNECTION DIMENSIONS

SIZE	d	L	L1	E	H	D	BW
1/2"	15	82.5	20.0	122.9	58.0	10.2	12.7
3/4"	20	87.5	20.0	122.9	61.0	15.8	19.1
1"	25	96.0	20.0	144.9	68.0	22.1	25.4
1-1/2"	38	118.0	20.0	188.9	84.5	34.8	38.2
2"	50	131.7	20.0	188.9	93.2	47.5	50.8
2-1/2"	65	158.5	20.0	255.3	131.8	60.2	63.4
3"	80	178.8	20.0	260.8	140.0	72.9	76.2
4"	100	210.5	20.0	322.2	173.6	97.4	101.6

NOTES:

As we are constant endeavoring to improve the performance of our equipment.

The company reserves the right to make alteration from time to time and equipment differ from that detailed in this brochure.

