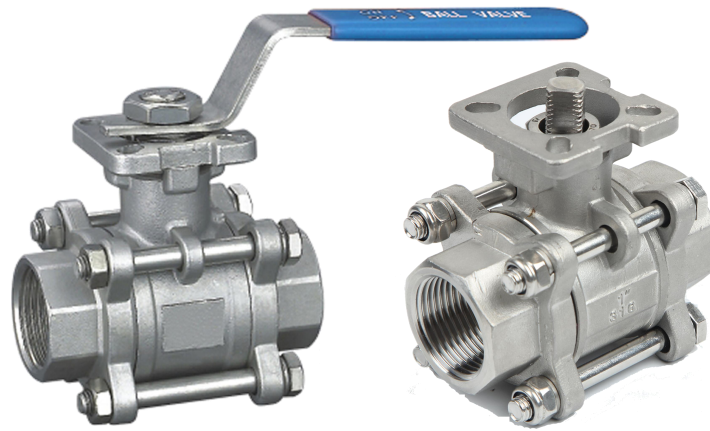


3PC BALL VALVE 1000 WOG WITH MOUNTING PAD



FEATURES

1000PSI / PN16~PN63

Size: 1/4"~4"

Materials: WCB, S.S.304(CF8), S.S.316(CF8M)

Full port, fully opening or closing

Blow-out proof stem, reliable sealing

Three pieces structure, easy operation and maintenance

ISO5211 mounting pad, lockable handle

PED97/23/EC (CE0035) approved

Investment casting approved to AD2000-WO certificate

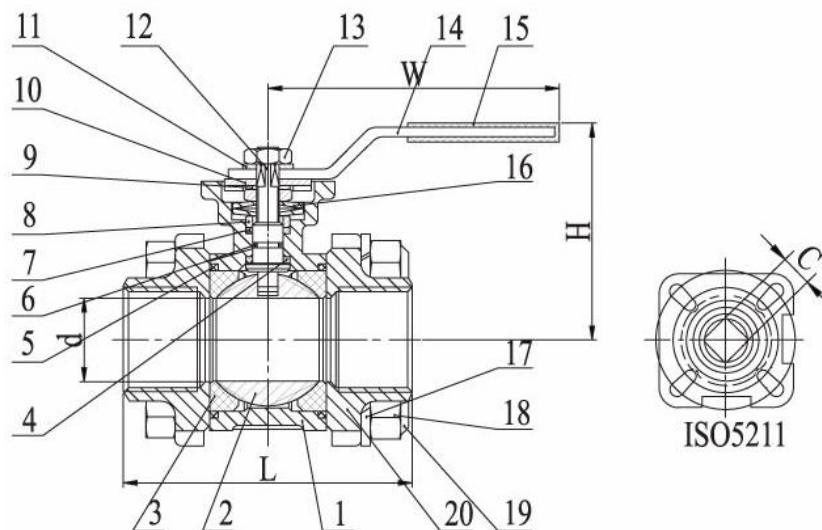
Threaded: G, NPT, PT, Rp, Rc (ASME B1.20.1, BS21/2799, DIN2999/259, ISO228-1, JIS B 0203, ISO7/1)

Inspection & testing: API598, EN12266, DIN3230/3

Design: ASME B16.34

Applicable medium: water, oil, gas, corrosive liquids

Applicable temperature: -29°C~120°C (higher temperature is available upon request)



PARTS AND MATERIALS

ITEM	PART	MATERIAL
1	Body	WCB, CF8/CF8M,SS304,SS316
2	Ball	CF8/CF8M,SS304,SS316
3	Ball seat	R-PTFE(15%)
4	Thrust washer	PTFE
5	Ball gasket	PTFE
6	O-Ring	VITON
7	Stem packing	PTFE
8	Gland	SUS304
9	Tab washer	SUS304
10	Stopper	SUS304
11	Spring washer	SUS304
12	Stem	SUS304/SUS316
13	Nut	SUS304
14	Handle	SUS304
15	Handle cover	Plastic
16	Belleville washer	SUS304
17	Spring washer	SUS304
18	Nut	SUS304
19	Bolt	SUS304
20	Cap	WCB, CF8/CF8M,SS304,SS316

MAIN CONNECTION DIMENSIONS

SIZE	d	L	H	C	W	ISO5211
1/4"	11.6	51	62	9	111	F03
3/8"	11.6	51	62	9	111	F03
1/2"	15	61	63	9	111	F04
3/4"	20	71	69.5	11	135.5	F04/F05
1"	25	81	72.5	11	135.5	F04/F05
1-1/4"	32	93	87.5	14	159	F05/F07
1-1/2"	40	102	93	14	204	F05/F07
2"	50	125	100.5	14	2047	F07/F10
2-1/2"	65	160	142.5	17	327.5	F07/F10
3"	80	180	153.5	17	327.5	F07/F10
4"	100	220	136.5	17	327.5	F07/F10

