

2W ZERO DIFFERENTIAL PRESSURE SOLENOID VALVE NORMAL CLOSED



FEATURES

Working pressure: 0~10bar (details see specification table)

Size: 3/8”~2” (10~50mm)

Materials: brass, S.S.304

Threaded ends: G, NPT, BSPT, Rp, Rc

Flanged ends: ANSI, JIS, DIN, BS

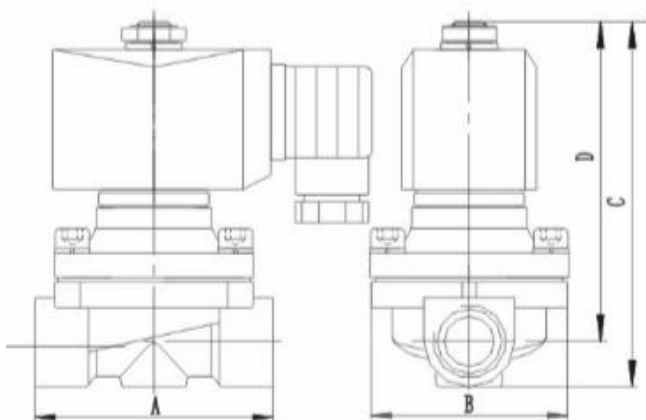
Working type: semi direct acting (Normal Closed)

Applicable medium: water, liquids, air, light oil (viscosity≤20cst)

Applicable temperature: 0°C~+80°C (higher temperature is available upon request)

Voltage: AC220 ~ 240VAC 110V AC24V 50/60Hz DC24V DC12V IP65 H degree (iron seal coil: IP54 B degree)

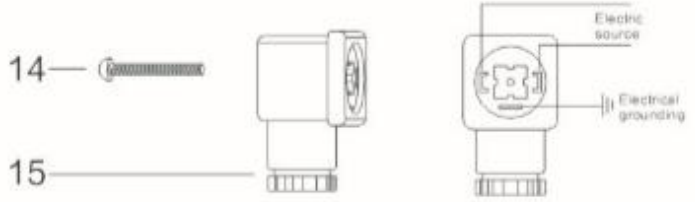
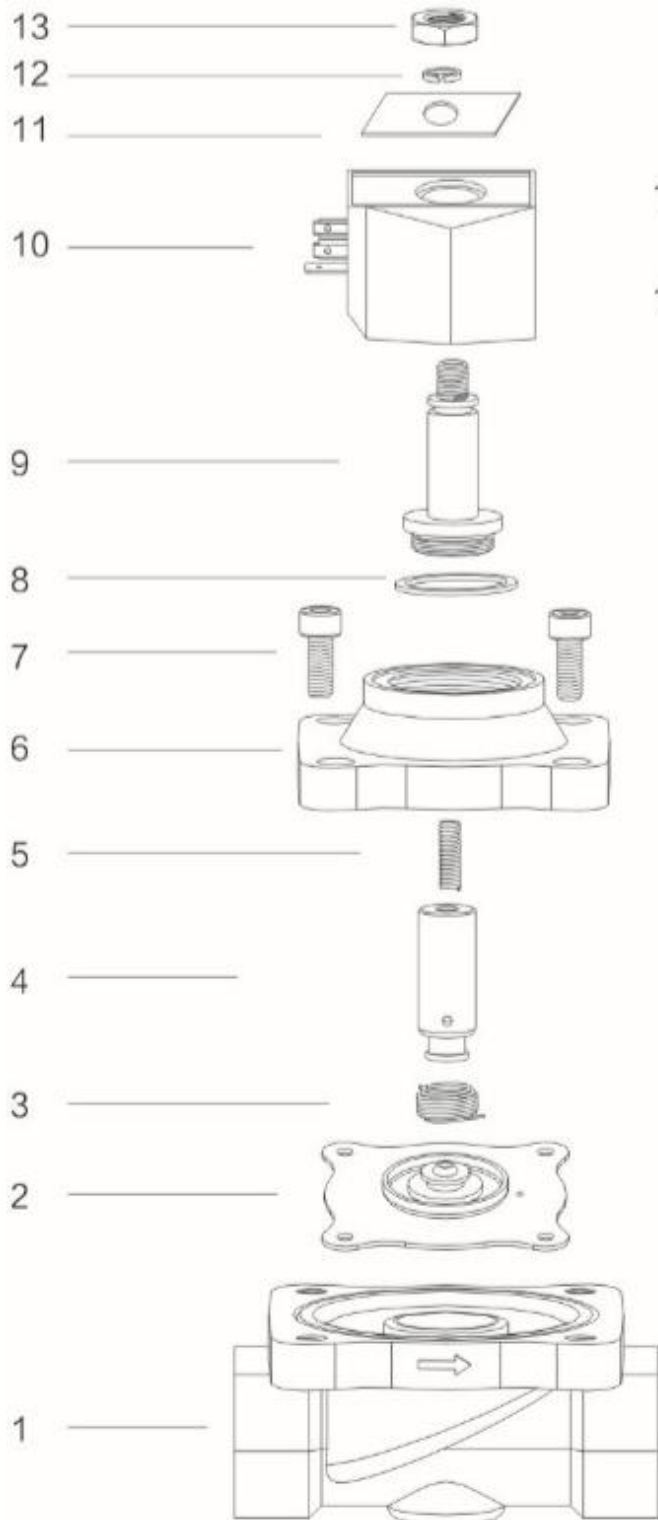
MAIN CONNECTION DIMENSIONS (MM)



Model	A	B	C	D	Weight (Kg)	
					Brass	SS304
2W-10N	68	56	117	104	0.9	0.8
2W-15N	68	56	117	104	0.9	0.8
2W-20N	73	56	123	106	0.9	0.9
2W-25N	100	74	135	114	1.5	1.4
2W-35N	110	85	154	129	2.2	2.1
2W-40N	120	90	162	134	2.3	2.3
2W-50N	154	115	185	151	3.0	4.0



MAIN PARTS AND DIMENSIONS



No.	Components	Material
1	Valve body	Brass SS
2	Diaphragm kit	
3	Diaphragm spring	SS304
4	Plunge kit	
5	Plunge spring	SS304
6	Valve cover	Brass SS
7	Stainless steel screw	SS304
8	Plunger tube sealing ring	PTFE
9	Plunger tube assembly	
10	Coil	
11	Label	Ly12
12	Spring ring10	65Mn
13	Bolt M10 × 1	SS304
14	Screw M3 × 28	SS304
15	DIN43650A connector	



MAIN SPECIFICATIONS

Orifice size (mm)	Interface size	Cv		Working pressure (bar)		Max medium temperature	Sealing material	Coil insulation degree	Coil power				Normal order code	
				Min pressure	Max pressure				Normal coil		Es coil		Plastic seal Voltage AC220V G thread Sealing material: Blank: NBR E; EPDM V; VITON	
		air gas water hotwater liquid light oil			VA				W	VA	W			
		AC	DC		AC 220 V				DC 24 V	AC 220 V	DC 24 V	Brass	SS304	
16	3/8"	4.8	0	10	6	80	NBR	H	20	20	4	4	2W-10N-AC220V	2W-10JN-AC220V
16		4.8	0	10	6	130	EPDM	H	20	20	4	4	2W-10N-E-AC220V	2W-10JN-E-AC220V
16		4.8	0	10	6	120	VITON	H	20	20	4	4	2W-10N-V-AC220V	2W-10JN-V-AC220V
16	1/2"	4.8	0	10	6	80	NBR	H	20	20	4	4	2W-15N-AC220V	2W-15JN-AC220V
16		4.8	0	10	6	130	EPDM	H	20	20	4	4	2W-15N-E-AC220V	2W-15JN-E-AC220V
16		4.8	0	10	6	120	VITON	H	20	20	4	4	2W-15N-V-AC220V	2W-15JN-V-AC220V
20	3/4"	7.6	0	10	6	80	NBR	H	20	20	4	4	2W-20N-AC220V	2W-20JN-AC220V
20		7.6	0	10	6	130	EPDM	H	20	20	4	4	2W-20N-E-AC220V	2W-20JN-E-AC220V
20		7.6	0	10	6	120	VITON	H	20	20	4	4	2W-20N-V-AC220V	2W-20JN-V-AC220V
25	1"	12	0	10	6	80	NBR	H	45	31	4	4	2W-25N-AC220V	2W-25JN-AC220V
25		12	0	10	6	130	EPDM	H	45	31	4	4	2W-25N-E-AC220V	2W-25JN-E-AC220V
25		12	0	10	6	120	VITON	H	45	31	4	4	2W-25N-V-AC220V	2W-25JN-V-AC220V
35	1 1/4"	24	0	10	6	80	NBR	B	48	35	8	7	2W-32N-AC220V	2W-32JN-AC220V
35		24	0	10	6	130	EPDM	B	48	35	8	7	2W-32N-E-AC220V	2W-32JN-E-AC220V
35		24	0	10	6	120	VITON	B	48	35	8	7	2W-32N-V-AC220V	2W-32JN-V-AC220V
40	1 1/2"	29	0	10	6	80	NBR	B	48	35	8	7	2W-40N-AC220V	2W-40JN-AC220V
40		29	0	10	6	130	EPDM	B	48	35	8	7	2W-40N-E-AC220V	2W-40JN-E-AC220V
40		29	0	10	6	120	VITON	B	48	35	8	7	2W-40N-V-AC220V	2W-40JN-V-AC220V
50	2"	48	0	10	6	80	NBR	B	48	35	8	7	2W-50N-AC220V	2W-50JN-AC220V
50		48	0	10	6	130	EPDM	B	48	35	8	7	2W-50N-E-AC220V	2W-50JN-E-AC220V
50		48	0	10	6	120	VITON	B	48	35	8	7	2W-50N-V-AC220V	2W-50JN-V-AC220V

NOTES:

As we are constant endeavoring to improve the performance of our equipment.

The company reserves the right to make alteration from time to time and equipment differ from that detailed in this brochure.

