



## 2PC BALL VALVE 1000 WOG



### FEATURES

1000PSI / PN16~PN63

Size: 1/4" ~ 4"

Materials: WCB, S.S.304 (CF8), S.S.316 (CF8M)

Full port, fully opening or closing

Blow-out proof stem, reliable sealing

Two pieces structure, easy operation and maintenance

PED97/23/EC (CE0035) approved

Investment casting approved to AD2000-WO certificate

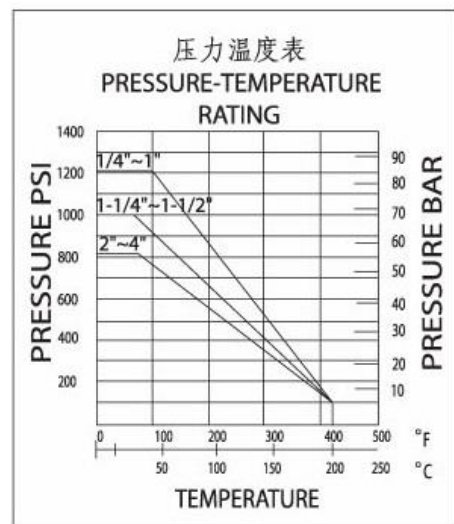
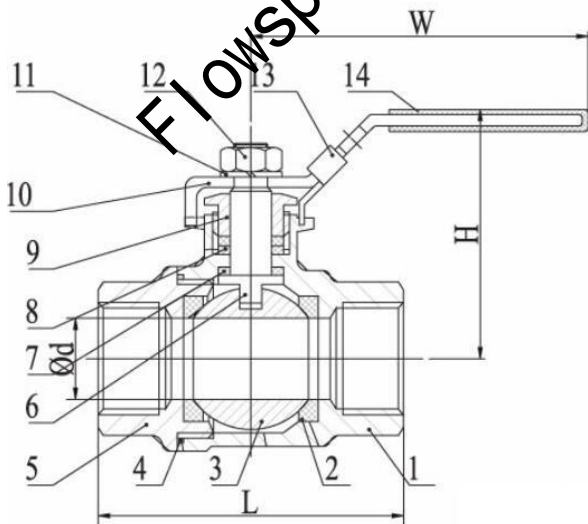
Threaded: G, NPT, PT, Rp, Rc (ASME B1.9.1, BS21/2799, DIN2999/259, ISO228-1, JIS B 0203, ISO7/1)

Inspection & testing: API598, EN12266, DIN3230/3

Design: ASME B16.34

Applicable medium: water, oil, gas, corrosive liquids

Applicable temperature: -29°C ~ 20°C (higher temperature is available upon request)





## PARTS AND MATERIALS

ITEM	PART	MATERIAL
1	Body	WCB, CF8/CF8M,SS304,SS316
2	Ball seat	PTFE
3	Ball	CF8/CF8M,SS304,SS316
4	Body seal	PTFE
5	Cap	WCB, CF8/CF8M,SS304,SS316
6	Stem	SUS304/SUS316
7	Thrust washer	PTFE
8	Packing	PTFE
9	Gland nut	SUS304
10	Handle	SUS304
11	Washer	SUS304
12	Nut	SUS304
13	Locking device	SUS304
14	Plastic cover	Plastic

## MAIN CONNECTION DIMENSIONS

SIZE	d	L	H	W
1/4"	10.5	53	48	95
3/8"	12	53	48	95
1/2"	15	62	55	97
3/4"	20	71	58	100
1"	25	80	70	125
1-1/4"	32	97	80	135
1-1/2"	38	105	95	155
2"	50	122	95	165
2-1/2"	65	163	120	220
3"	80	190	130	220
4"	100	225	155	280

### NOTES:

1. As we are constant endeavoring to improve the performance of our equipment.
2. The company reserves the right to make alteration from time to time and equipment differ from that detailed in this brochure.