



DOUBLE FLANGED ECCENTRIC BUTTERFLY VALVE



FEATURES

ANSI 125/150LB, PN1.0/PN1.6MPa, JIS 5K/10K

Size: 4" ~ 120" (100~3000mm)

Materials: A126 B (GG25), A536 65-45-12 (GGG40), A216 WCB, S.S.304 (CF8), S.S.316(CF8M), B148 C954

Eccentric action reduces torque and seat contact during operation, extending valve service life

Suitable for 90° on-off operation and regulation service

The seat can be repaired on site, no needing dis assembly

Epoxy coating for corrosion resistance and long service life

Good sealing capability, no leakage

Flanged ends: ANSI B16.5 ANSI 125/150; DIN 2501 BS 4504 / GB 17241.6 PN10/PN16

Face to face: ISO 5752, AWWA C504, GB12221, EN 558-1, ANSI B16.10

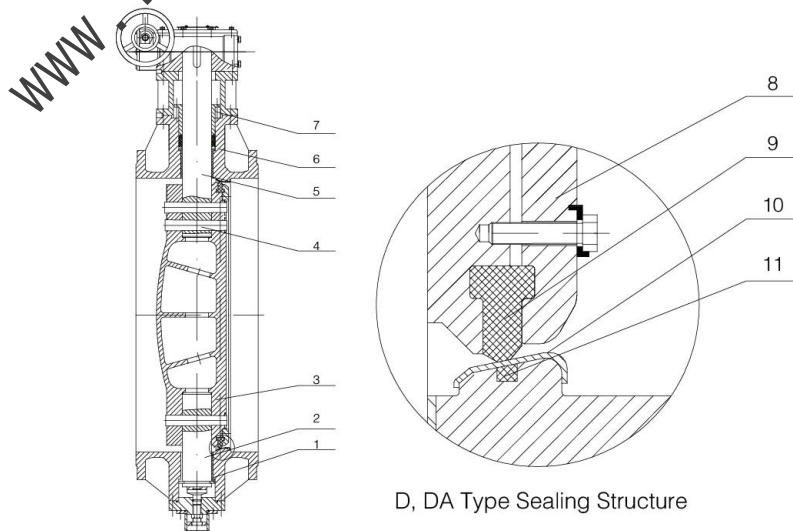
Top flange: ISO 5211

Inspection & testing: API598, GB13927

Design: GB12238, AWWA C504, EN591

Applicable medium: water, sewage, sea water, air, food, medicine, oil, corrosive liquids

Applicable temperature: -20°C ~ +80°C (higher temperature is available upon request)

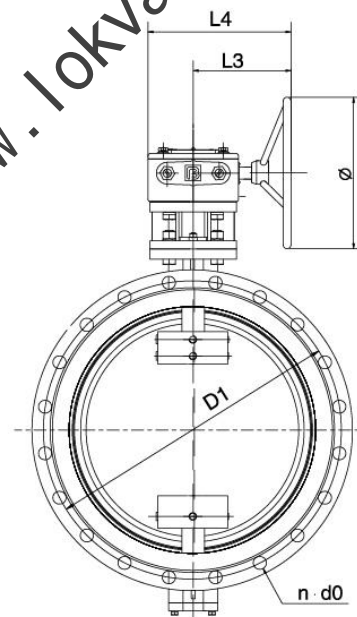
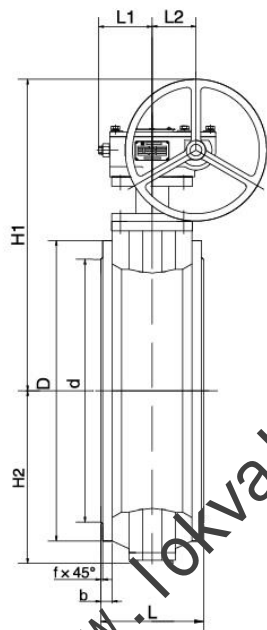


D, DA Type Sealing Structure



PARTS AND MATERIALS

NO.	PARTS	MATERIALS
1	Bushing	Bronze, PTFE
2	Bottom shaft	SUS416, SUS304, SUS420, SUS431
3	Disc	D.I., CF8 (S.S.304), CF8M (S.S.316), ALB, Duplex S.S., Hastelloy Alloy, Monel
4	Taper pin	SUS416, SUS304, SUS420, SUS431
5	Top shaft	SUS416, SUS304, SUS420, SUS431
6	Body	C.I., D.I., WCB, ALB, CF8 (S.S.304), CF8M (S.S.316)
7	Packing	NBR, EPDM
8	Retainer	A536 65-45-12, Q235-A, Gr33
9	Disc sealing ring	NBR, EPDM
10	Body steal ring	SUS316
11	Sealing ring	NBR, EPDM

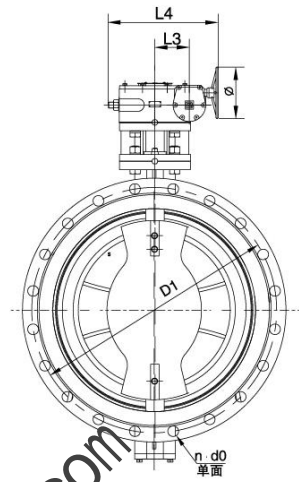
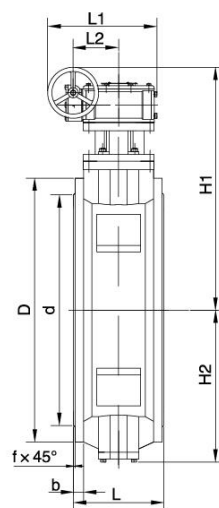
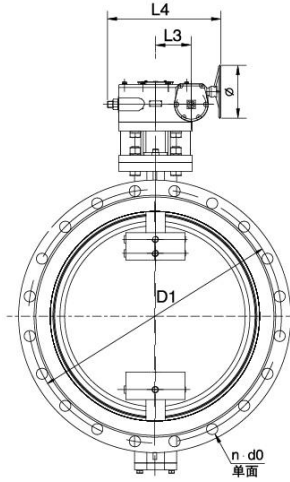
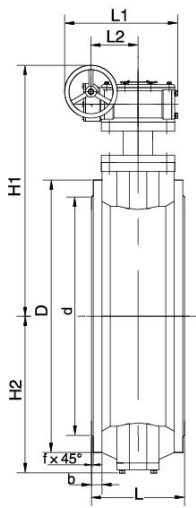


DN100~400

MAIN CONNECTION DIMENSIONS (MM)

PN1.0MPA

DN	Gear	L	D	D1	d	n	d0	b	f	H1	H2	L1	L2	L3	L4	Ø	Weight
100	XJ24	127	220	180	156	8	19	19	3	310	109	52	45	158	210	150	19
150	XJ24	140	285	240	211	8	23	19	3	440	143	52	45	158	210	150	37
200	XJ30	152	340	295	266	8	23	20	3	510	182	77	63	238	315	300	51
250	XJ30	165	395	350	319	12	23	22	3	565	219	77	63	238	315	300	68
300	4022	178	445	400	370	12	23	24.5	4	630	244	95	72	167	242	300	93
350	4023	190	505	460	429	16	23	24.5	4	715	283	110	91	188	275	400	122
400	4023	216	565	515	480	16	28	24.5	4	750	312	110	91	188	275	400	152



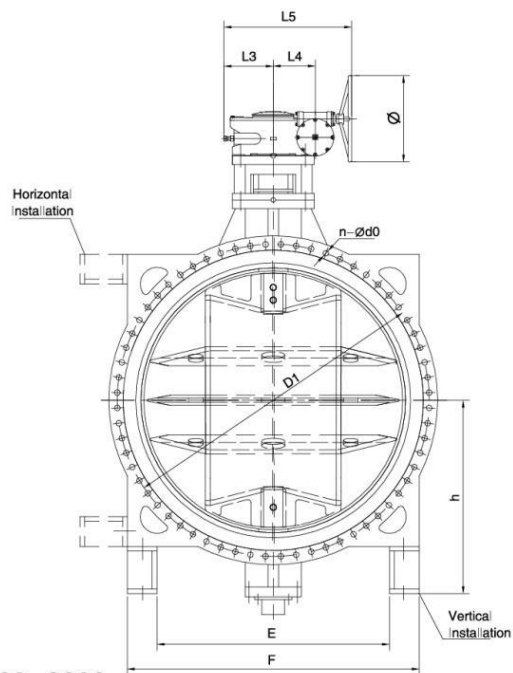
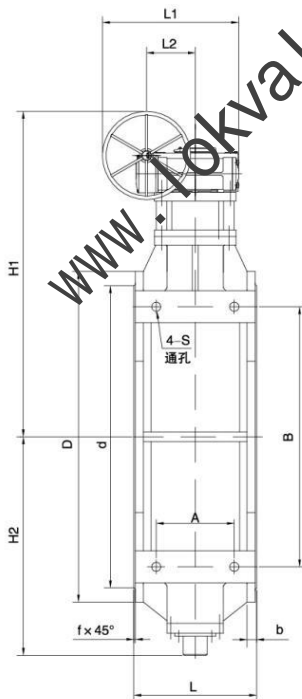
DN450~500

DN600~1200

MAIN CONNECTION DIMENSIONS (MM)

PN1.0MPA

DN	Gear	L	D	D1	d	n	d0	b	f	H1	H2	L1	L2	L3	L4	Ø	Weight
450	4024	222	615	565	530	20	28	25.5	4	820	444	473	147	109	420	400	182
500	4024	229	670	620	582	20	28	26.5	4	847	381	473	147	109	420	400	230
600	4025	267	780	725	682	20	31	30	5	950	451	533	179	138	476	400	388
700	4025	292	895	840	794	24	31	32.5	5	1010	526	533	179	138	476	400	480
800	4026	318	1015	950	901	24	34	35	5	1140	581	655	217	170	577	500	661
900	4026	330	1115	1050	1001	28	34	37.5	5	1197	643	655	217	170	577	500	813
1000	4026	410	1230	1160	1112	28	35	40	5	1277	722	655	217	170	577	500	1018
1200	4027	470	1455	1380	1380	32	40	45	5	1511	840	748	262	202	664	500	1501



DN1400~3000

MAIN CONNECTION DIMENSIONS (MM)
PN1.0/0.6MPA

Pressure	DN	Gear	D	D1	d	b	f	n-d0	L	H1	H2	L1	L2	L3	L4	L5	Ø	A	4-S	B	E	F	h	Weight
PN10	1400	4028	1675	1590	1530	46	5	36-43	530	1750	1150	884	334	305	238	790	500	310	33	1500	1360	1590	960	2895
	1600	4028	1915	1820	1750	49	5	40-49	600	1870	1305	884	334	305	238	790	500	340	33	1600	1460	1700	1050	3655
	1800	4028.5	2115	2020	1950	52	5	44-49	670	2125	1425	977	357.5	323	281	855	600	450	36	1900	1740	1990	1200	5210
	2000	4029	2325	2230	2150	55	5	48-49	760	2280	1580	1059	397.5	345	307.5	903	600	480	36	2000	1850	2100	1323	6721
	2200	4029	2550	2440	2370	58	6	52-56	580	2520	1710	1222	436	437.5	365.5	1075	800	400	36	2030	1830	2150	1410	7658
	2400	40210	2760	2650	2570	62	6	56-56	750	2760	1880	1303	476	480	410.5	1191	800	490	45	2310	2120	2460	1470	10350
	2600	40211	2960	2850	2780	66	6	60-56	900	3120	2010	1744	605	612	521	2024	1000	650	45	2400	2120	2540	1650	13708
PN6	1400	4027	1630	1560	1510	38	5	36-37	530	1695	1150	748	262	259	202	664	500	310	33	1500	1360	1590	960	2623
	1600	4028	1830	1760	1710	40	5	40-37	600	1870	1305	884	334	305	238	790	500	340	33	1600	1460	1700	1050	3559
	1800	4028	2045	1970	1918	42	5	44-40	670	2015	1425	884	334	305	238	790	500	450	36	1860	1700	1960	1180	4615
	2000	4028	2265	2180	2125	45	5	48-43	760	2235	1580	977	357.5	323	281	855	600	480	36	1960	1810	2060	1303	6162
	2200	4029	2475	2390	2335	48	6	52-43	580	2380	1710	1059	397.5	345	307.5	903	600	400	36	1970	1770	2090	1380	6735
	2400	4029	2685	2600	2545	52	6	56-43	750	2720	1880	1222	436	437.5	365.5	1075	800	490	45	2310	2120	2460	1470	9586
	2600	4029	2905	2810	2750	54	6	60-49	900	2870	2010	1222	436	437.5	365.5	1075	800	650	45	2400	2210	2540	1650	12387
	2800	40210	3115	3020	2960	56	6	64-49	1000	3035	2050	1303	476	480	410.5	1191	800	860	45	2540	2300	2700	1760	14238
	3000	40211	3315	3220	3160	60	6	68-49	1000	-	2300	1744	605	612	521	2024	1000	860	45	2650	2520	2920	1840	-

NOTES:

As we are constant endeavoring to improve the performance of our equipment.

The company reserves the right to make alteration from time to time and equipment differ from that detailed in this brochure.