



## 2PC FLOATING BALL VALVE DIN FLANGED



### FEATURES

PN10/PN16/PN25/PN40

DN15~DN100mm

Materials: GS-C25, 1.7363, 1.4308, 1.4408, 1.4306, 1.4301

Full port, fully opening or closing

Blow-out proof stem, anti-static device

Two pieces structure, easy operation and maintenance

PED97/23/EC (CE0035) approved

Investment casting approved to AD2000-WO certificate

Face to face: DIN3202-F4

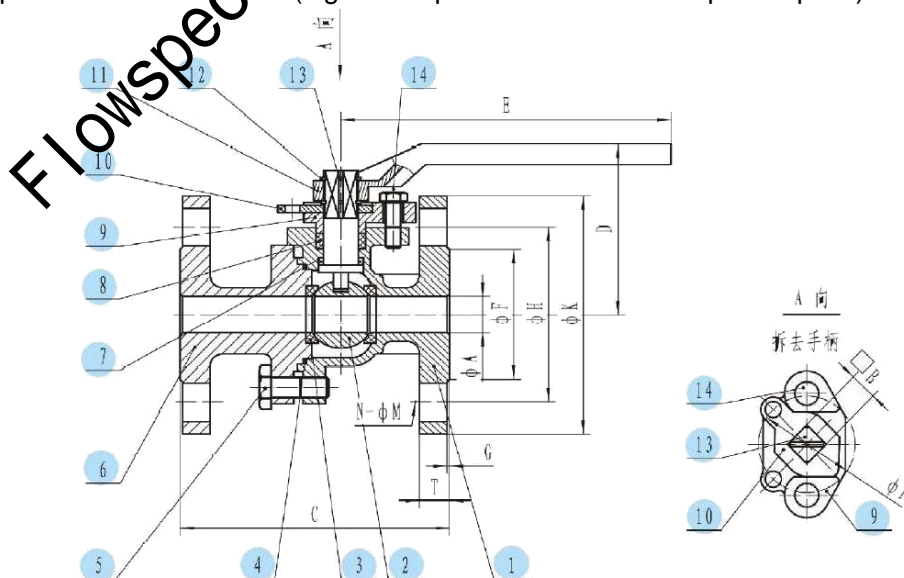
Flanged ends: DIN2501

Design: DIN3357, EN12516

Inspection & testing: DIN3203/3, EN12266

Applicable medium: water, oil, gas, corrosive liquids

Applicable temperature: -29°C~120°C (higher temperature is available upon request)





## PARTS AND MATERIALS

No.	Part	Material
1	Body	GS-C25, 1.7363, 1.4308, 1.4408, 1.4306, 1.4301
2	Ball	1.4308, 1.4408
3	Seat	RTPFE
4	Body seat	PTFE
5	Bolt	SUS304
6	Cap	GS-C25, 1.7363, 1.4308, 1.4408, 1.4306, 1.4301
7	Stem seal	PTFE
8	Stem packing	PTFE
9	Gland	1.4308, 1.4408
10	Stopper	SUS304
11	Handle	SUS304
12	Spring washer	SUS304
13	Stem	SUS304
14	Bolt	SUS304

### FULL BORE

PN1.0/1.6MPA

DN	A	B	D	E	C	F	H	K	T	G	M	N
mm	mm	mm	mm	mm	mm	mm	mm	mm	mm	mm	mm	mm
15	15	11	73	130	115	45	65	95	14	2	14	4
20	20	11	76	130	120	58	75	105	16	2	14	4
25	25	14	86	160	125	68	85	115	18	2	14	4
32	32	14	91	160	130	78	100	140	18	2	18	4
40	38	17	119	200	140	88	110	150	18	3	18	4
50	50	17	127	200	150	102	125	165	18	3	18	4
65	65	17	136	200	170	122	145	185	18	3	18	4
80	76	22	164	325	180	138	160	200	20	3	18	8
100	94	22	178	325	190	158	180	220	20	3	18	8

### FULL BORE

PN2.5/4.0MPA

DN	A	B	D	E	C	F	H	K	T	G	M	N
mm	mm	mm	mm	mm	mm	mm	mm	mm	mm	mm	mm	mm
15	15	11	73	130	115	45	65	95	14	2	14	4
20	20	11	76	130	120	58	75	105	16	2	14	4
25	25	14	86	160	125	68	85	115	18	2	14	4
32	32	14	91	160	130	78	100	140	18	2	18	4
40	38	17	119	200	140	88	110	150	18	3	18	4
50	50	17	127	200	150	102	125	165	20	3	18	4
65	65	17	136	200	170	122	145	185	22	3	18	8
80	76	22	164	325	180	138	160	200	24	3	18	8
100	94	22	178	325	190	162	190	235	24	3	22	8