

2PC BALL VALVE 2000 WOG REDUCE PORT



FEATURES

2000PSI / PN125

Size: 1/4"~2"

Materials: A105, S.S.304 (CF8), S.S.316(CF8M)

Reduce port

Blow-out proof stem, reliable sealing

Two pieces structure, easy operation and maintenance

PED97/23/EC (CE0035) approved

Investment casting approved to AD2000-WO certificate

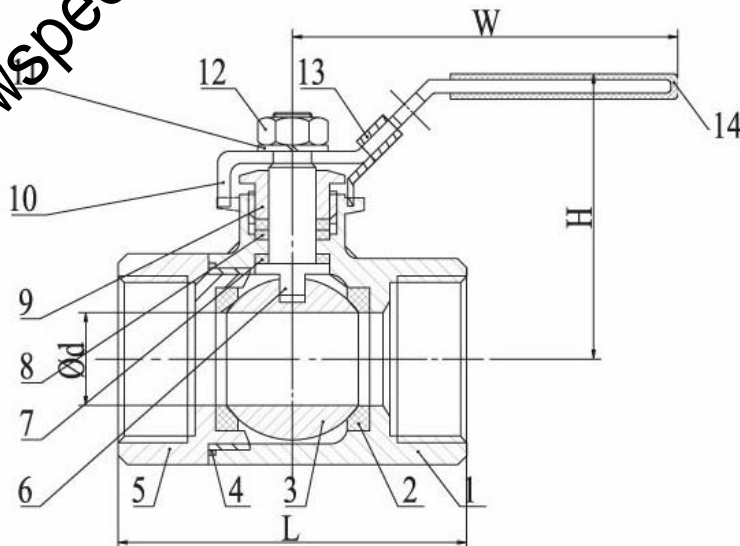
Threaded: G, NPT, PT, Rp, Rc (ASME B1.20.1, BS21/2799, DIN2999/259, ISO228-1, JIS B 0203, ISO7/1)

Inspection & testing: API598, EN12266, DW 330/3

Design: ASME B16.34

Applicable medium: water, oil, gas, corrosive liquids

Applicable temperature: -29°C~120°C (higher temperature is available upon request)





PARTS AND MATERIALS

| ITEM | PART | MATERIAL |
|------|----------------|----------------------------|
| 1 | Body | A105, CF8/CF8M,SS304,SS316 |
| 2 | Seat | R-PTFE |
| 3 | Ball | CF8/CF8M,SS304,SS316 |
| 4 | Body seal | PTFE |
| 5 | Cap | A105, CF8/CF8M,SS304,SS316 |
| 6 | Stem | SUS304/SUS316 |
| 7 | Thrust washer | PTFE |
| 8 | Stem packing | PTFE |
| 9 | Gland nut | SUS30 |
| 10 | Handle | SUS30 |
| 11 | Thrust washer | SUS30 |
| 12 | Stem nut | SUS30 |
| 13 | Locking device | SUS30 |
| 14 | Plastic cover | Plastic |

MAIN CONNECTION DIMENSIONS

| SIZE | d | L | H | W |
|--------|------|-------|------|-----|
| 1/4" | 9.5 | 50 | 41.5 | 110 |
| 3/8" | 9.5 | 55 | 43 | 110 |
| 1/2" | 12.7 | 63 | 46.5 | 110 |
| 3/4" | 17.5 | 72 | 56 | 151 |
| 1" | 22.2 | 86.7 | 62 | 151 |
| 1-1/4" | 25.4 | 93 | 66 | 170 |
| 1-1/2" | 31.7 | 102.5 | 75 | 188 |
| 2" | 48.1 | 119.0 | 80 | 188 |

NOTES:

1. As we are constantly endeavoring to improve the performance of our equipment.
2. The company reserves the right to make alteration from time to time and equipment differ from that detailed in this brochure.